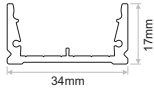


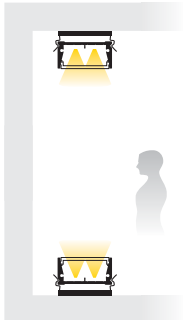
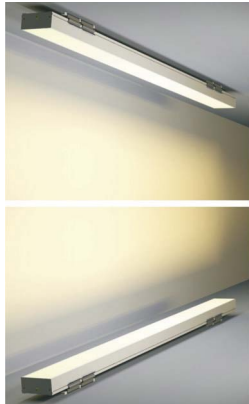
OUTLINER 30

Aluminium Profile

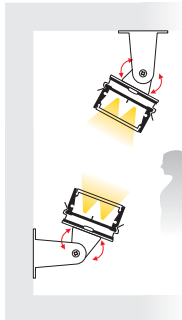
- OUTLINER 30 aluminium profile ideal for linear LED lighting applications.
- Variety of accessories.
- Special design and construction to meet the most demanding lighting designs.
- Multiple mounting options.
- Family member of OUTLINER Series, with variety of luminous area widths (20,30,40,50).
- Available also in black, white or different RAL colours upon request.



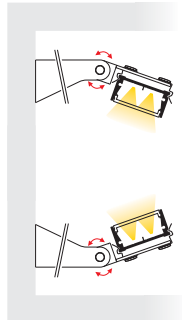
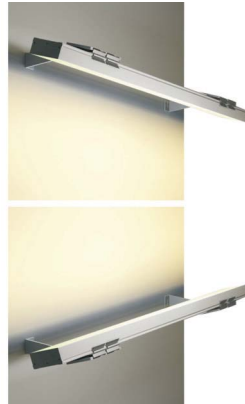
FIXED installation



SURFACE installation



WALL BRACKET (Long-Short) installation



PENDANT installation

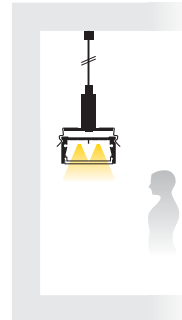

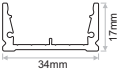

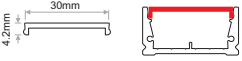

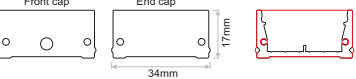

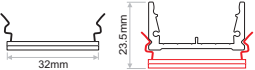

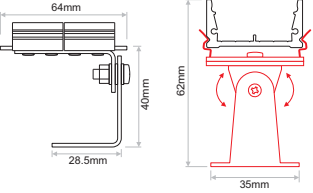
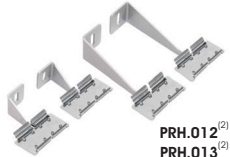
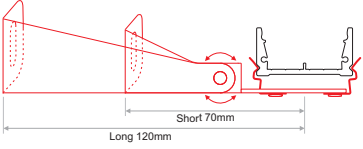

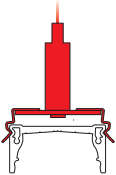




Image	Code	Description	Length	Design-Detail
	PRF.123	OUTLINER 30 alum.prof. / Anodized	2m	
	COV.039 COV.040 COV.041	POLYCARBONATE CLEAR COVER POLYCARBONATE MILKY SATIN COVER POLYCARBONATE MICROPRISMATIC COVER	2m 2m 2m	
	CAP.127 CAP.128	FRONT CAP (aluminium) for OUTLINER 30 END CAP (aluminium) for OUTLINER 30		
	PRH.006 ⁽¹⁾	STAINLESS STEEL HOLDER for FIXED installation		
	PRH.009 ⁽¹⁾	BRACKET for SURFACE installation		
	PRH.012 ⁽²⁾ PRH.013 ⁽²⁾	WALL BRACKET LONG (pair) WALL BRACKET SHORT (pair)		
	PRH.021 ⁽³⁾ PRH.022 ⁽³⁾	CEILING SUSPENSION installation 150cm (per piece) CEILING SUSPENSION installation 300cm (per piece)		

1. Use 2 pcs for lengths up to 130cm. 3 pcs for lengths up to 200cm.
 2. Use 1 pair for lengths up to 130cm. 1.5 pair for lengths up to 200cm.
 3. Use 2 pcs for lengths up to 200cm.