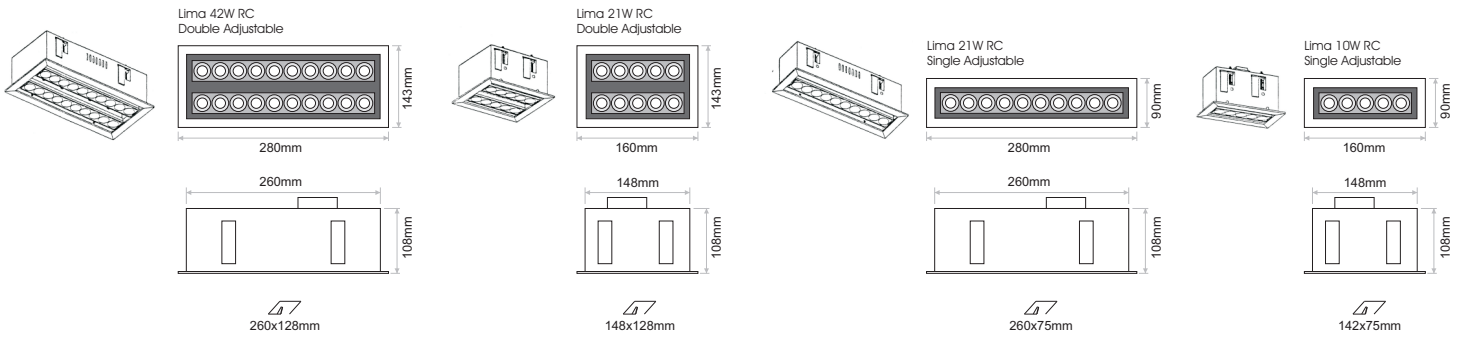
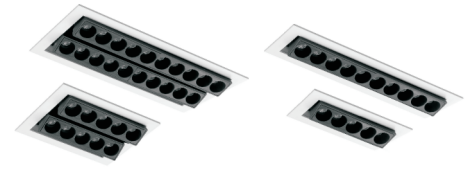
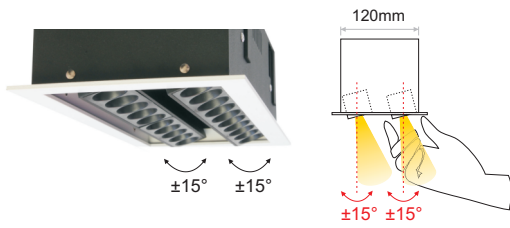


# LIMA Recessed Adjustable Installation Manual

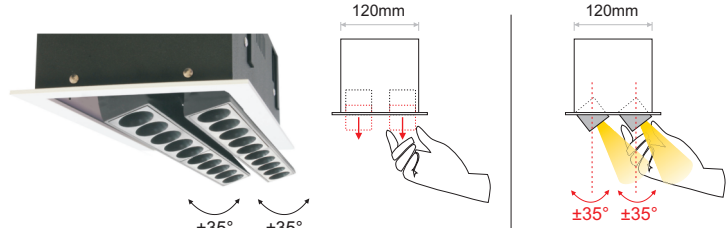


## Installation Type A



Rotate  $\pm 15^\circ$  the lighting fixtures.

## Installation Type B



1. To adjust the fixture up to  $35^\circ$ , you need to pull the fixture down carefully.

2. Then rotate  $\pm 35^\circ$  the lighting fixtures.

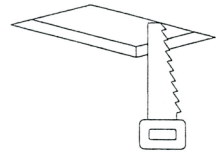
1



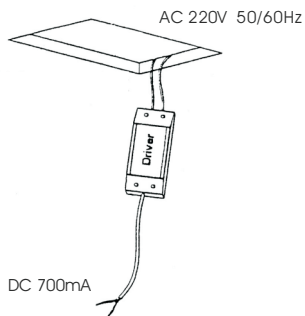
**Attention**  
Switch off the main power.

2

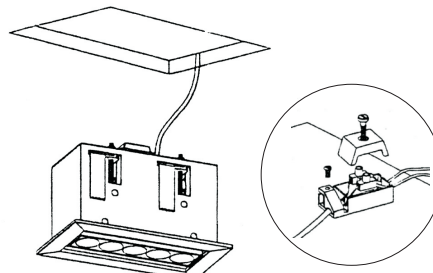
- Lima 42W RC Double Adjustable 260x128mm
- Lima 21W RC Double Adjustable 148x128mm
- Lima 21W RC Single Adjustable 260x75mm
- Lima 10W RC Single Adjustable 142x75mm



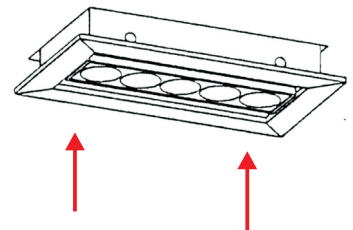
3



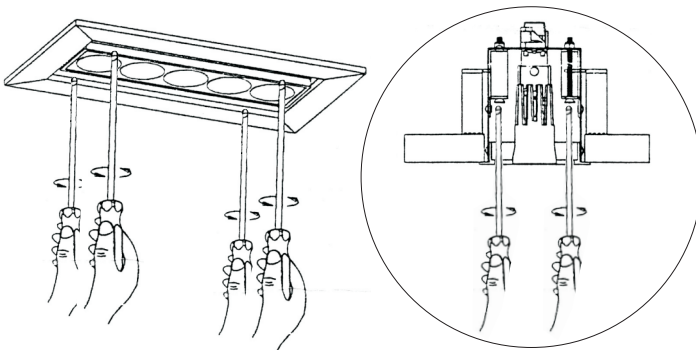
4



5



6



7

