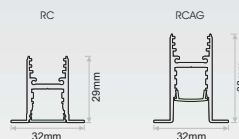


# LINILINE RC/RCAG

(Recessed/Recessed Antiglare)

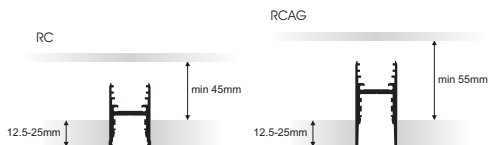
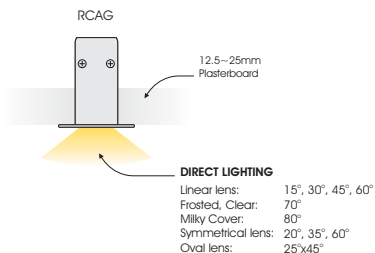
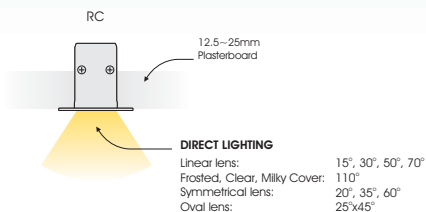
- Liniline is a complete series of linear recessed, trimless, surface and pendant luminaires.
- All models are available in standard or antiglare version to ensure visual comfort.
- Liniline series offers a variety of different light outputs that ensure uniformity and colour consistency.
- Nichia LEDs: L90/B10 >50.000h
- Cree LEDs: L90/B10 >50.000h
- 3 SDCM
- IP40

Lighting management options:  
On-Off/DALI/0..10V/1..10V/DMX512/PHASE CUT/IR/RF/PUSH BUTTON/Bluetooth



### Available upon request:

- ✓ Custom dimensions
- ✓ Custom luminaire colours



### Outer Dimensions:

for Standard Models:

32 x 54, 2/79, 2/104, 2/129, 2/154, 2/179, 2/204, 2cm

Cutting hole:

22 x 53, 2/78, 2/103, 2/128, 2/153, 2/178, 2/203, 2cm

for Superior Models:

32 x 51, 6/76, 6/101, 6/126, 6/151, 6/176, 6/201, 6cm

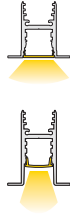
Cutting hole:

22 x 50, 6/75, 6/100, 6/125, 6/150, 6/175, 6/200, 6cm



Note: Cutting hole must be 10mm shorter than the luminaire length.

Direct:  
Milky / Clear / Frosted cover



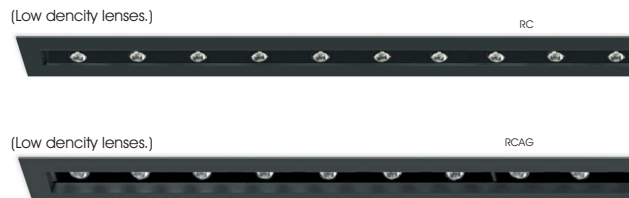
Direct:  
Linear lens



Direct:  
Symmetrical / Oval lens



Direct:  
Symmetrical / Oval lens



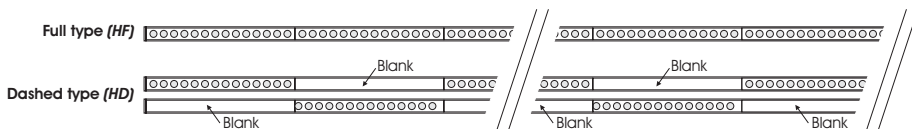
Standard Luminaire Colours:  
Custom Colours available upon request



**High density lenses**  
LINILINE RC/RCAG High efficiency



**Low density lenses**  
LINILINE RC/RCAG High efficiency



- 50cm (1 blank)
- 75cm (1 blank)
- 100cm (2 blanks)
- 125cm (2 blanks)
- 150cm (3 blanks)
- 175cm (3 blanks)
- 200cm (4 blanks)

Custom quantities of blanks is available upon request.



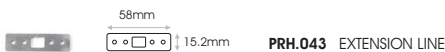
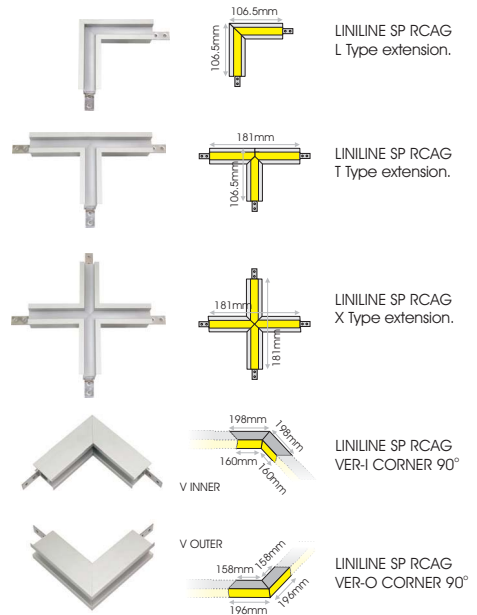
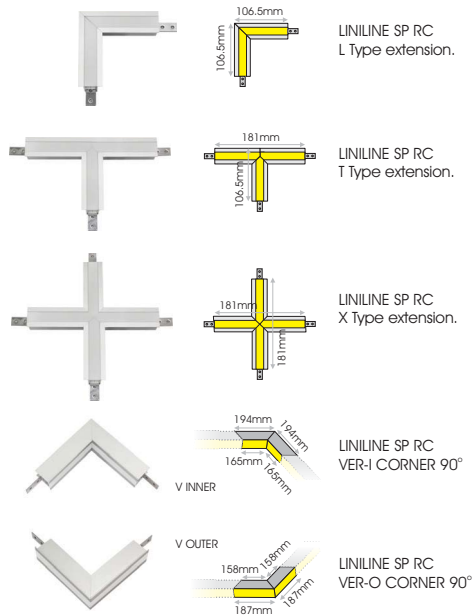
The Superior series of Liniline luminaires can be combined with a variety of extensions to deliver an excellent seamless installation. Electrical connections between Superior series Liniline luminaires and accessories are made by built in in-out connectors and internal wiring.

### Extensions for Superior models

**Note:** The referred dimensions of extensions are valid with 21W Nichia LED strip.

RC

RCAG



**LINILINE RECESSED**



Model	Luminaire Colour	CCT*	CRI	Beam Angle	Watt*** / Length **	Voltage
<b>LINILINE STANDARD RECESSED</b> <i>(LINILINE ST RC)</i>	Anodized <i>(AN)</i>	2000K <i>(20)</i>	≥ 80 <i>(80)</i>	<b>DIRECT LIGHTING</b>	<b>Superior models****</b> 11W / 50cm <i>(11W050)</i> 15.7W / 75cm <i>(16W075)</i> 21W / 100cm <i>(21W100)</i> 26.3W / 125cm <i>(26W125)</i> 31.5W / 150cm <i>(32W150)</i> 36.3W / 175cm <i>(36W175)</i> 42W / 200cm <i>(42W200)</i>	24VDC <i>(24)</i>
	White <i>(WH)</i>	2500K <i>(25)</i>	≥ 90 <i>(90)</i>	<b>With LED strip (Nichia LEDs)</b>		
	Black <i>(BL)</i>	2700K <i>(27)</i>		15° Linear lens <i>(15L)</i>		
		3000K <i>(30)</i>		30° Linear lens <i>(30L)</i>		
		4000K <i>(40)</i>		50° Linear lens <i>(50L)</i>		
<b>LINILINE SUPERIOR RECESSED</b> <i>(LINILINE SP RC)</i>		5700K <i>(57)</i>		70° Linear lens <i>(70L)</i>		
				110° Frosted Cover <i>(110F)</i>		
				110° Clear Cover <i>(110C)</i>		
				110° Milky Cover <i>(110M)</i>		
				<b>With LED modules (CREE LEDs)</b>	<b>Standard models****</b>	
			20° Symmetrical lens <i>(20HF) (20HD) (20LF) (20LD)</i>	11W / 54.2cm <i>(11W054)</i>		
			35° Symmetrical lens <i>(35HF) (35HD) (35LF) (35LD)</i>	15.7W / 79.2cm <i>(16W079)</i>		
			60° Symmetrical lens <i>(60HF) (60HD) (60LF) (60LD)</i>	21W / 104.2cm <i>(21W104)</i>		
			25°x45° Oval lens <i>(45HF) (45HD) (45LF) (45LD)</i>	26.3W / 129.2cm <i>(26W129)</i>		
				31.5W / 154.2cm <i>(32W154)</i>		
				36.3W / 179.2cm <i>(36W179)</i>		
				42W / 204.2cm <i>(42W204)</i>		

\* Tunable white, RGB and RGBW models are available upon request (for downlight and/or uplight)  
\* For all Symmetrical and Oval lenses, 2000K and 2500K are NOT available.  
\*\* Available in custom lengths, luminaire colours and power upon request.

\*\*\* The power refers to all models with 21W Nichia LED strip and/or Low density Full lenses (LF). Model's power will change with Low density Dashed (LD), High density Full (HF), High density Dashed (HD).  
Symmetrical / Oval lens module power:  
(HF) High density Full 40W/m,  
(HD) High density Dashed 20W/m,  
(LF) Low density Full 21W/m,  
(LD) Low density Dashed 10.5W/m

\*\*\*\* Dimension without end caps for Superior models (add 8mm for each end cap).  
\*\*\*\*\* Dimension with end caps.

Ordering Code Example: *LINILINE ST RC-AN-3080-110M-32W150-24*

Extension Model	Luminaire Colour	CCT*	CRI	Beam Angle **	Watt / Length***	Voltage
<b>LINILINE SUPERIOR RECESSED L TYPE</b> <i>(LINILINE SP RC-LT)</i>	Anodized <i>(AN)</i>	2000K <i>(20)</i>	≥ 80 <i>(80)</i>	<b>With LED strip (Nichia LEDs)</b>	3.5W / 10,65x10,65cm <i>(4W1111)</i>	24VDC <i>(24)</i>
	White <i>(WH)</i>	2500K <i>(25)</i>	≥ 90 <i>(90)</i>	15° Linear lens <i>(15L)</i>		
	Black <i>(BL)</i>	2700K <i>(27)</i>		30° Linear lens <i>(30L)</i>		
		3000K <i>(30)</i>		50° Linear lens <i>(50L)</i>		
		4000K <i>(40)</i>		70° Linear lens <i>(70L)</i>		
<b>LINILINE SUPERIOR RECESSED T TYPE</b> <i>(LINILINE SP RC-TT)</i>		5700K <i>(57)</i>		110° Frosted Cover <i>(110F)</i>	5.3W / 18,1x10,65cm <i>(5W1811)</i>	
				110° Clear Cover <i>(110C)</i>		
				110° Milky Cover <i>(110M)</i>		
<b>LINILINE SUPERIOR RECESSED X TYPE</b> <i>(LINILINE SP RC-XT)</i>				<b>Models with symmetrical or oval lenses</b>	7W / 18,1x18,1cm <i>(7W1818)</i>	
				Blank <i>(BLK)</i>		
<b>LINILINE SUPERIOR RECESSED VER-I TYPE</b> <i>(LINILINE SP RC-VER-IT)</i>					7W / 16,5x16,5cm <i>(5W1717)</i>	
<b>LINILINE SUPERIOR RECESSED VER-O TYPE</b> <i>(LINILINE SP RC-VER-OT)</i>					7W / 18,7x18,7cm <i>(7W1919)</i>	

\* Tunable white, RGB and RGBW models are available upon request.  
\*\* The beam angle must be the same with the DIRECT beam angle of the luminaires.  
\*\*\* The referred dimensions of extensions are valid with 21W Nichia LED strip.

Ordering Code Example: *LINILINE PD-LT-AN-3080-30L-4W1111-24*

**LINILINE RECESSED ANTIGLARE**


Model	Luminaire Colour	CCT*	CRI	Beam Angle	Watt*** / Length **	Voltage
<b>LINILINE STANDARD RECESSED ANTIGLARE</b> <i>(LINILINE ST RCAG)</i>	Anodized (AN)	2000K (20)	≥ 80 (80)	<b>DIRECT LIGHTING</b>  <b>With LED strip (Nichia LEDs)</b> 15° Linear lens (15L) 30° Linear lens (30L) 45° Linear lens (45L) 60° Linear lens (60L) 70° Frosted Cover (70F) 70° Clear Cover (70C) 80° Milky Cover (80M)	<b>Superior models****</b> 11W / 50cm (11W050) 15.7W / 75cm (16W075) 21W / 100cm (21W100) 26.3W / 125cm (26W125) 31.5W / 150cm (32W150) 36.3W / 175cm (36W175) 42W / 200cm (42W200)	24VDC (24)
	White (WH)	2500K (25)	≥ 90 (90)			
	Black (BL)	2700K (27)				
		3000K (30)				
		4000K (40)				
<b>LINILINE SUPERIOR RECESSED ANTIGLARE</b> <i>(LINILINE SP RCAG)</i>		5700K (57)		<b>With LED modules (CREE LEDs)</b> 20° Symmetrical lens (20HF) (20HD) (20LF) (20LD) 35° Symmetrical lens (35HF) (35HD) (35LF) (35LD) 60° Symmetrical lens (60HF) (60HD) (60LF) (60LD) 25°x45° Oval lens (45HF) (45HD) (45LF) (45LD)	<b>Standard models*****</b> 11W / 54.2cm (11W054) 15.7W / 79.2cm (16W079) 21W / 104.2cm (21W104) 26.3W / 129.2cm (26W129) 31.5W / 154.2cm (32W154) 36.3W / 179.2cm (36W179) 42W / 204.2cm (42W204)	

\* Tunable white, RGB and RGBW models are available upon request (for downlight and /or uplight)

\*\* For all Symmetrical and Oval lenses, 2000K and 2500K are NOT available.

\*\*\* Available in custom lengths, luminaire colours and power upon request.

\*\*\* The power refers to all models with 21W Nichia LED strip and/or low density Full lenses (LF).

Model's power will change with Low density Dashed (LD), High density Full (HF), High density Dashed (HD).  
Symmetrical / Oval lens module power:

(HF) High density Full 40W/m,

(HD) High density Dashed 20W/m,

(LF) Low density Full 21W/m,

(LD) Low density Dashed 10.5W/m

\*\*\*\* Length without end caps for Superior models (add 8mm for each end cap).

\*\*\*\*\* Dimension with end caps.

Ordering Code Example: *LINILINE ST RCAG-AN-3080-70F-32W150-24*

Extension Model	Luminaire Colour	CCT*	CRI	Beam Angle **	Watt / Length***	Voltage
<b>LINILINE SUPERIOR RECESSED ANTIGLARE L TYPE</b> <i>(LINILINE SP RCAG-LT)</i>	Anodized (AN)	2000K (20)	≥ 80 (80)	<b>With LED strip (Nichia LEDs)</b> 15° Linear lens (15L) 30° Linear lens (30L) 45° Linear lens (45L) 60° Linear lens (60L) 70° Frosted Cover (70F) 70° Clear Cover (70C) 80° Milky Cover (80M)	3.5W / 10,65x10,65cm (4W1111)	24VDC (24)
	White (WH)	2500K (25)	≥ 90 (90)		5.3W / 10,65x18,1cm (5W1118)	
	Black (BL)	2700K (27)				
		3000K (30)				
		4000K (40)				
<b>LINILINE SUPERIOR RECESSED ANTIGLARE T TYPE</b> <i>(LINILINE SP RCAG-TT)</i>		5700K (57)		7W / 18,1x18,1cm (7W1818)		
<b>LINILINE SUPERIOR RECESSED ANTIGLARE X TYPE</b> <i>(LINILINE SP RCAG-XT)</i>				<b>Models with symmetrical or oval lenses</b> Blank (BLK)	7W / 16x16cm (5W1616)	
					7W / 19,6x19,6cm (7W2020)	
<b>LINILINE SUPERIOR RECESSED ANTIGLARE VER-I TYPE</b> <i>(LINILINE SP RCAG-VER-IT)</i>						
<b>LINILINE SUPERIOR RECESSED ANTIGLARE VER-O TYPE</b> <i>(LINILINE SP RCAG-VER-OT)</i>						

\* Tunable white, RGB and RGBW models are available upon request.

\*\* The beam angle must be the same with the DIRECT beam angle of the luminaires.

\*\*\* The referred dimensions of extensions are valid with 21W Nichia LED strip.

Ordering Code Example: *LINILINE SP RCAG-LT-AN-3080-30L-4W1111-24*