

1ch HIGH IP RATED LED Power Supplies Constant Voltage

- Power Supplies with fully isolated case
- IP64, IP65, IP67.
- Full range Universal AC inputs
- Cooling by free air convection
- Protections: Short circuit - overload - over voltage

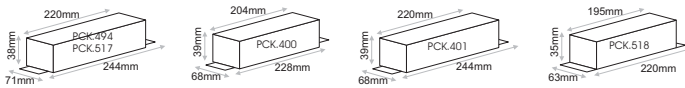


Code	Model	Input Voltage Range	Frequency Range	DC Voltage	Rated Current	Rated Power	IP
PCK.400	HLG-150H-48	100-240VAC	50/60HZ	48VDC	3.1A	150W	IP67
PCK.401	HLG-240H-48A	100-240VAC	50/60HZ	48VDC	5A	240W	IP65
PCK.518	ELG-150-48-3Y	100-240VAC	50/60HZ	48VDC	3.1A	150W	IP67
PCK.494	ELG-200-48-3Y	100-240VAC	50/60HZ	48VDC	4.2A	200W	IP67
PCK.517	ELG-240-48-3Y	100-240VAC	50/60HZ	48VDC	5A	240W	IP67

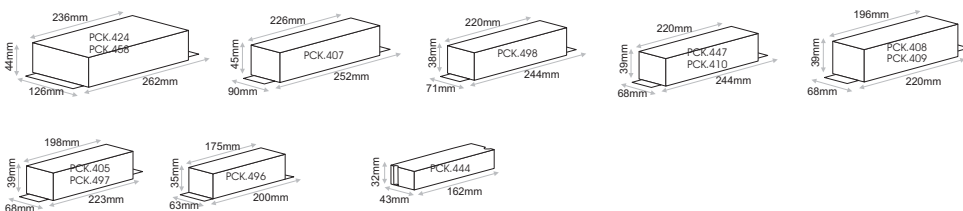
42VDC

PCK.408	HLG-100H-42A	100-240VAC	50/60HZ	42VDC	2.4A	100W	IP65
PCK.409	HLG-150H-42A	200-240VAC	50/60HZ	42VDC	3.6A	150W	IP65
PCK.405	HLG-185H-42A	100-240VAC	50/60HZ	42VDC	4.4A	185W	IP65
PCK.410	HLG-240H-42A	100-240VAC	50/60HZ	42VDC	5.7A	240W	IP65
PCK.447	HLG-240H-42B	100-240VAC	50/60HZ	42VDC	5.7A	240W	IP67
PCK.424	HLG-480H-42A	100-240VAC	50/60HZ	42VDC	11.4A	480W	IP65
PCK.444	LPF-40-42	100-240VAC	50/60HZ	42VDC	0.95A	40W	IP67
PCK.496	ELG-100-42-3Y	100-240VAC	50/60HZ	42VDC	2.4A	100W	IP67
PCK.497	ELG-150-42-3Y	100-240VAC	50/60HZ	42VDC	3.6A	150W	IP67
PCK.498	ELG-240-42-3Y	100-240VAC	50/60HZ	42VDC	5.7A	240W	IP67
PCK.407	HLG-320H-42A	100-240VAC	50/60HZ	42VDC	7.6A	320W	IP65
PCK.458	HLG-480H-42	100-240VAC	50/60HZ	42VDC	11.4A	480W	IP67

48VDC



42VDC



1ch HIGH IP RATED

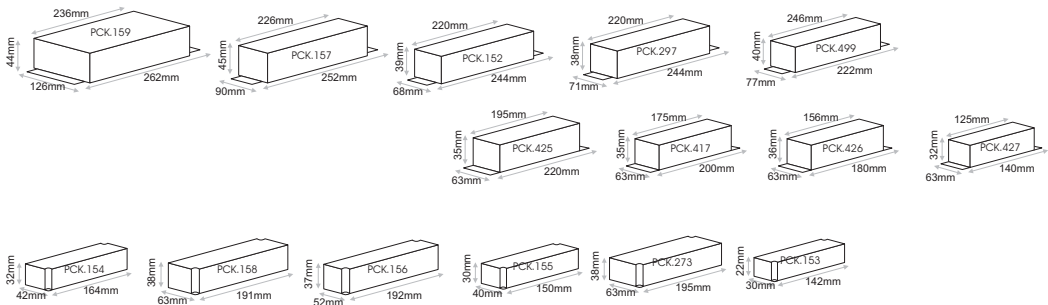
LED Power Supplies Constant Voltage

Constant Voltage LED Drivers 



Code	Model	Input Voltage Range	Frequency Range	DC Voltage	Rated Current	Rated Power	IP
PCK.153	LPH-18-24	200-240VAC	50/60HZ	24VDC	0.75A	18W	IP67
PCK.273	NPF-120-24	100-240VAC	50/60HZ	24VDC	5A	120W	IP67
PCK.190	LPV-20-24	100-240VAC	50/60HZ	24VDC	0.83A	20W	IP67
PCK.155	LPV-35-24	100-240VAC	50/60HZ	24VDC	1.5A	36W	IP67
PCK.154	LPV-60-24	100-240VAC	50/60HZ	24VDC	2.5A	60W	IP67
PCK.156	LPV-100-24	100-240VAC	50/60HZ	24VDC	4.2A	100W	IP67
PCK.158	LPV-150-24	180-305VAC	50/60HZ	24VDC	6.3A	150W	IP67
PCK.152	HLG-240-24A	100-240VAC	50/60HZ	24VDC	10A	240W	IP65
PCK.157	HLG-320H-24A	100-240VAC	50/60HZ	24VDC	13.34A	320W	IP65
PCK.159	HLG-480H-24	100-240VAC	50/60HZ	24VDC	20A	480W	IP67
PCK.425	ELG-150-24-3Y	100-240VAC	50/60HZ	24VDC	6.25A	150W	IP67
PCK.297	ELG-240-24-3Y	100-240VAC	50/60HZ	24VDC	10A	240W	IP67
PCK.427	XLG-75-24-A	100-240VAC	50/60HZ	24VDC	3.1A	75W	IP67
PCK.426	XLG-150-24-A	100-240VAC	50/60HZ	24VDC	6.25A	150W	IP67
PCK.417	XLG-200-24	100-240VAC	50/60HZ	24VDC	8.3A	200W	IP67
PCK.499	XLG-320-V-A	100-240VAC	50/60HZ	24VDC	13.3A	320W	IP67

24VDC



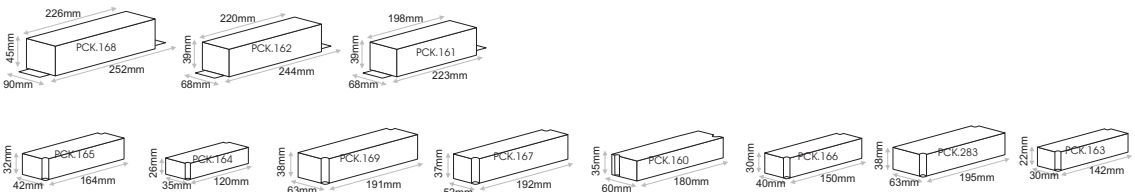


Code	Model	Input Voltage Range	Frequency Range	DC Voltage	Rated Current	Rated Power	IP
PCK.163	LPH-18-12	200-240VAC	50/60HZ	12VDC	1.5A	18W	IP67
PCK.160	ELN-60-12	100-240VAC	50/60HZ	12VDC	5A	60W	IP64
PCK.283	NPF-120-12	100-240VAC	50/60HZ	12VDC	10A	120W	IP67
PCK.161	CLG-150-12A	100-240VAC	50/60HZ	12VDC	11A	130W	IP65
PCK.164	LPV-20-12	100-240VAC	50/60HZ	12VDC	1.67A	20W	IP67
PCK.166	LPV-35-12	100-240VAC	50/60HZ	12VDC	3A	36W	IP67
PCK.165	LPV-60-12	100-240VAC	50/60HZ	12VDC	5A	60W	IP67
PCK.167	LPV-100-12	100-240VAC	50/60HZ	12VDC	8.5A	100W	IP67
PCK.169	LPV-150-12	180-305VAC	50/60HZ	12VDC	10A	120W	IP67
PCK.162	HLG-240-12A	100-240VAC	50/60HZ	12VDC	16A	192W	IP65
PCK.168	HLG-320H-12A	100-240VAC	50/60HZ	12VDC	22A	264W	IP65

5VDC

PCK.170	ELN-30-5	100-240VAC	50/60HZ	5VDC	5A	25W	IP64
PCK.174	LPV-20-5	100-240VAC	50/60HZ	5VDC	3A	15W	IP67
PCK.364	LPV-35-5	100-240VAC	50/60HZ	5VDC	5A	25W	IP67
PCK.207	LPV-60-5	100-240VAC	50/60HZ	5VDC	8A	40W	IP67
PCK.171	LPV-100-5	100-240VAC	50/60HZ	5VDC	12A	60W	IP67

12VDC



5VDC

