

1

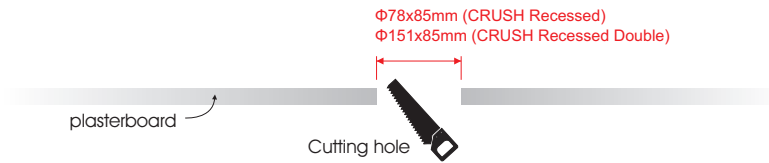
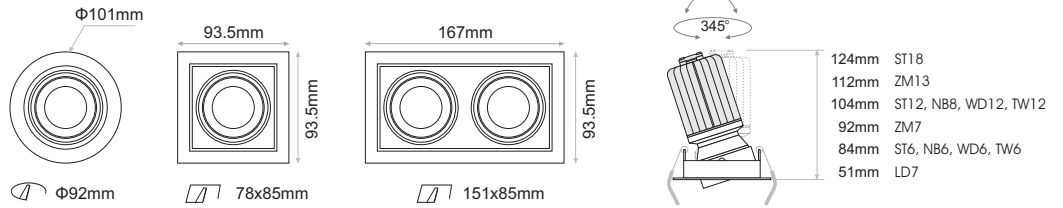
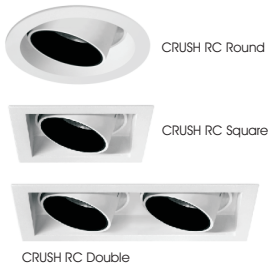


Attention

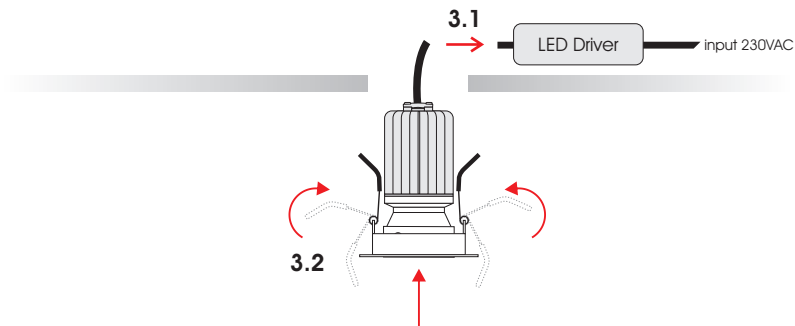
Before any maintenance switch off the main power.

2 Cutting Hole

Models: **Low Depth 7W (LD7)** **Standard 6.2W / 12.2W / 18W (ST6), (ST12), (ST18)** **Narrow Beam 6W / 8W (NB6), (NB8)** **Zoom 6.4W / 13W (ZM6), (ZM13)** **Warm Dimming 0.2~6W / 12W (WD6), (WD12)** **Tunable White 5.9W / 11.5W (TW6), (TW12)**



3



4

