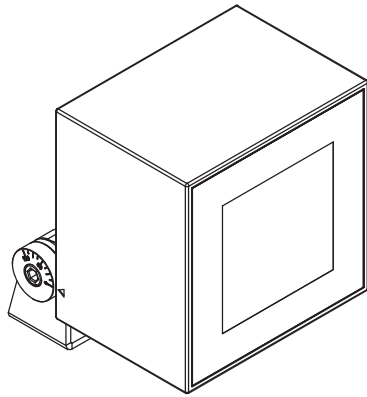


BOX 21

Installation Manual

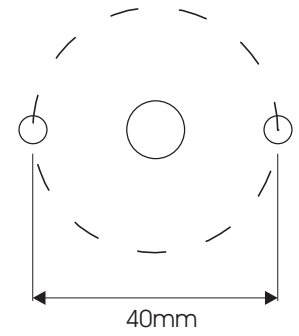
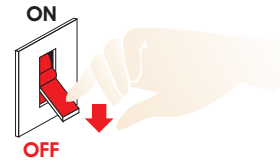


1

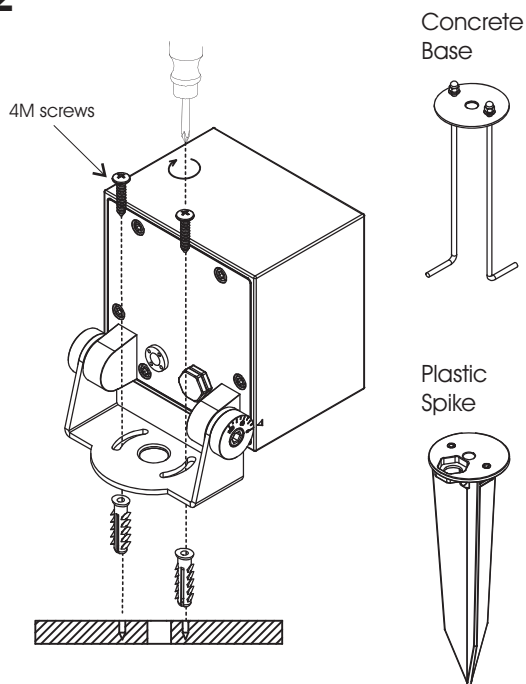


Attention

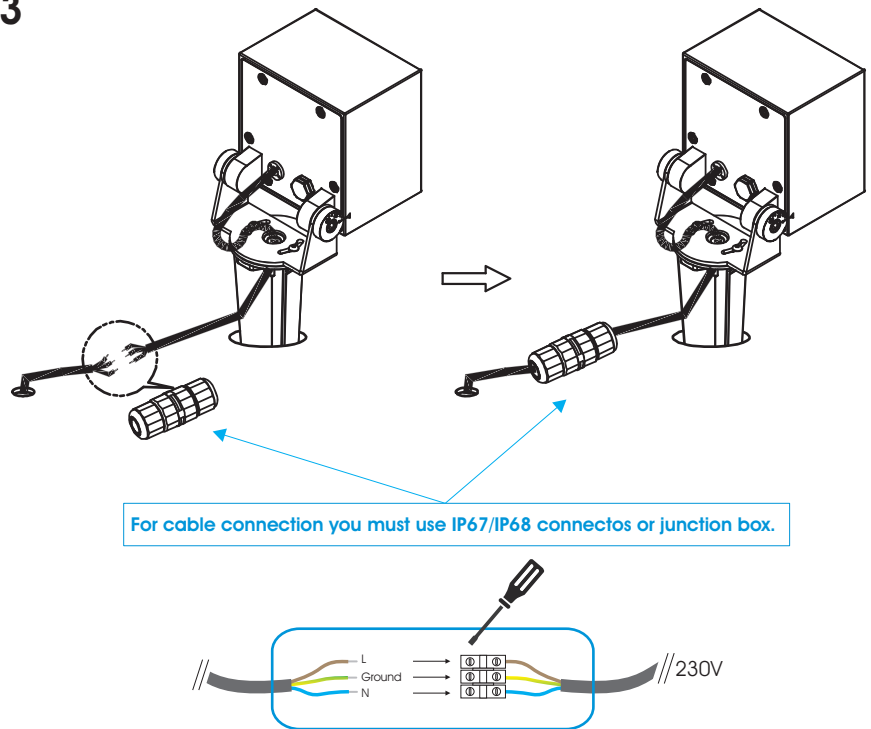
Switch off power at the mains.



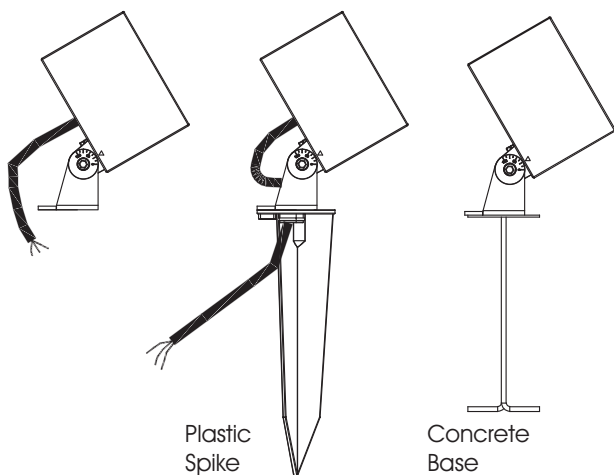
2



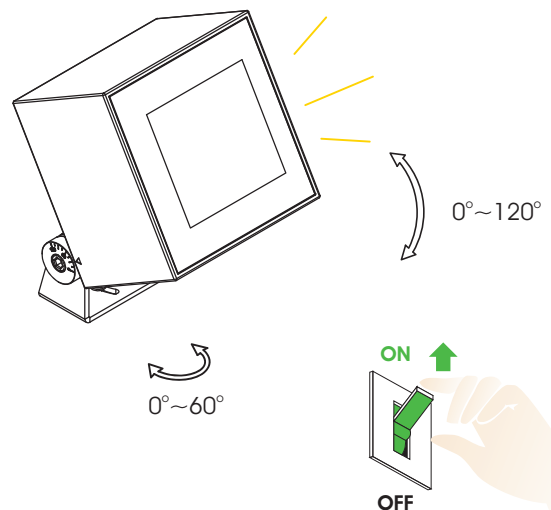
3



4



5



ELECTRON

ELECTRON SA, PROFESSIONAL LIGHTING SYSTEMS

68 Antiochias Str, N. Philadelphia, 143 41 Athens, Greece, Tel. +30 210 2584240, Fax. +30 210 2584245, info@electron.gr, www.electron.gr