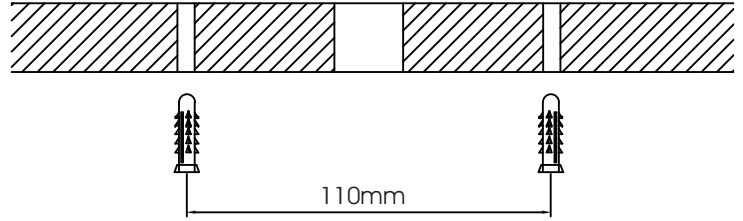
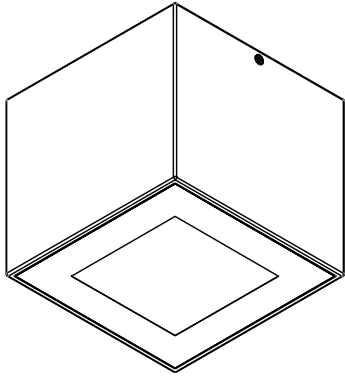


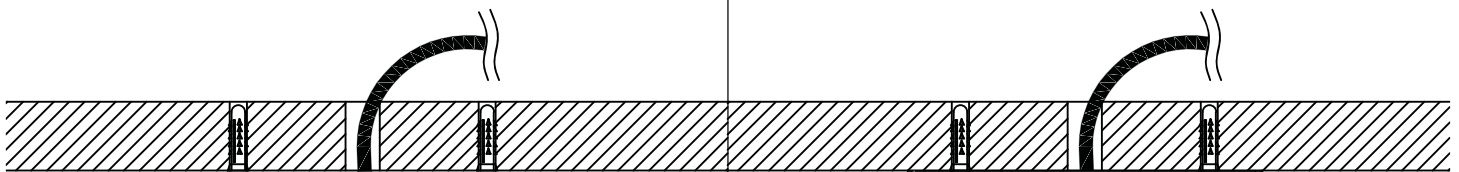
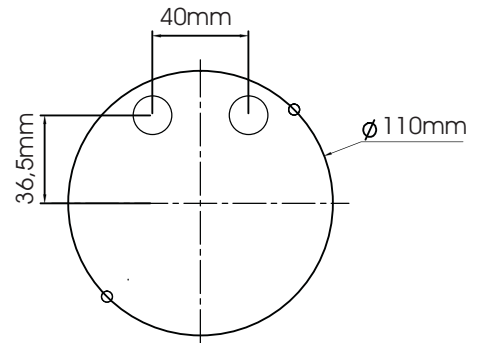
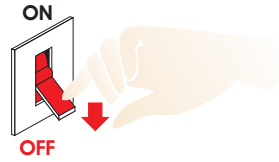
BOX 24SF

Installation Manual

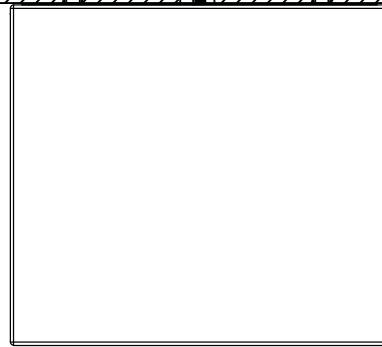
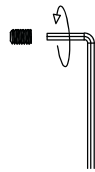
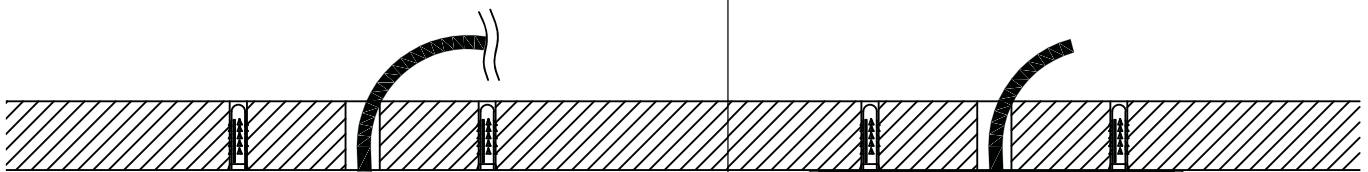
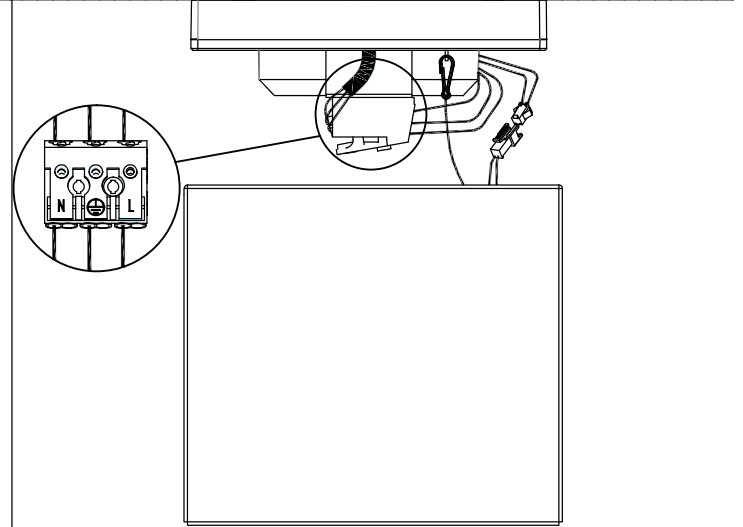
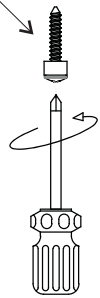


Attention

Switch off power at the mains.



4M screws



ELECTRON

ELECTRON SA, PROFESSIONAL LIGHTING SYSTEMS

68 Antiochias Str, N. Philadelphia, 143 41 Athens, Greece, Tel. +30 210 2584240, Fax. +30 210 2584245, info@electron.gr, www.electron.gr