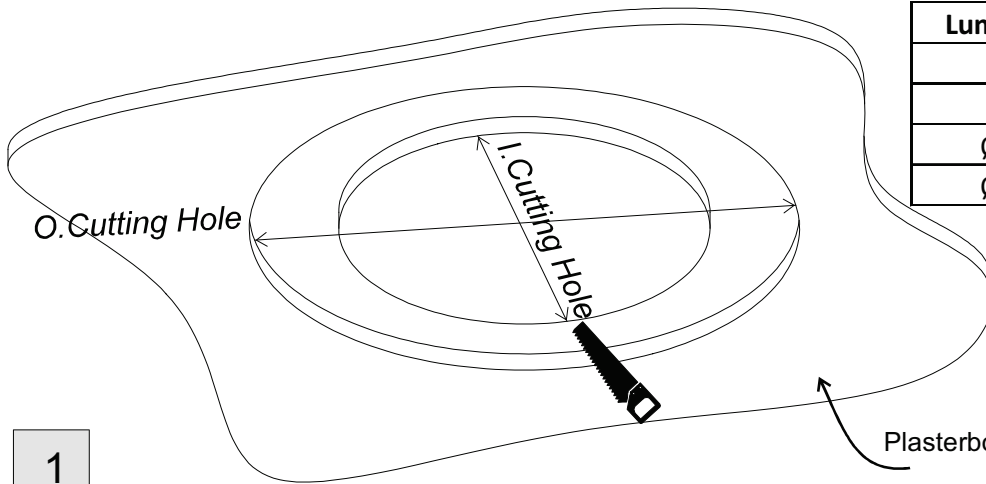
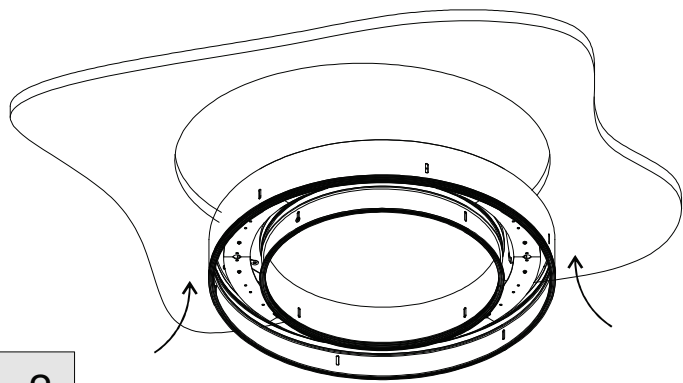


# ECLIPSE TRIMLESS Installation Manual

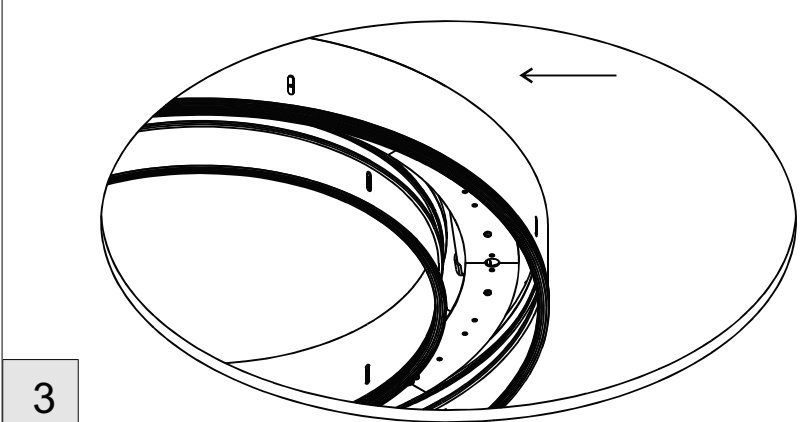
Luminaires	O.Cutting Hole	I.Cutting Hole
Ø580	585mm	395mm
Ø850	855mm	665mm
Ø1130	1135mm	945mm
Ø1420	1425mm	1235mm



1



2

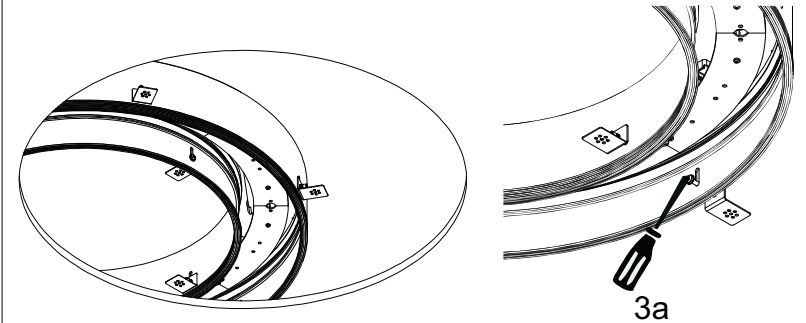
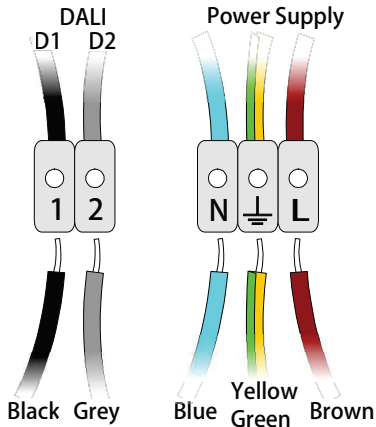


3

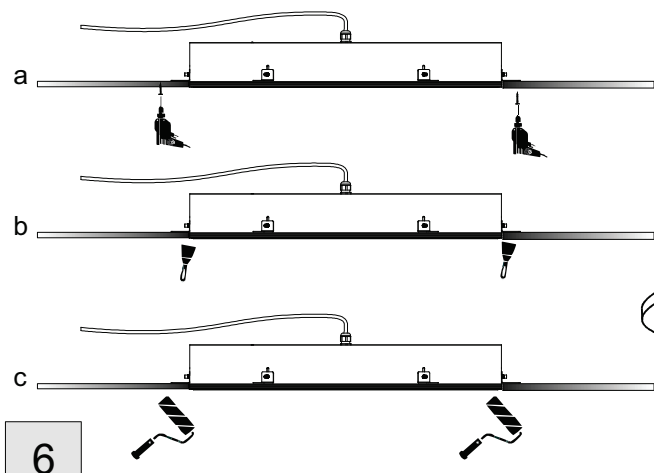
The luminaire must be connected only by a qualified electrician.



4



5



6

