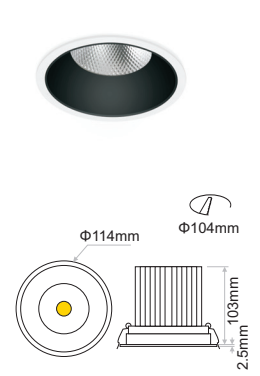
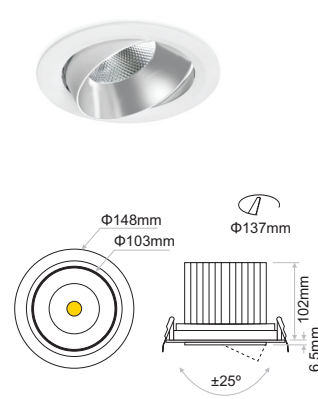
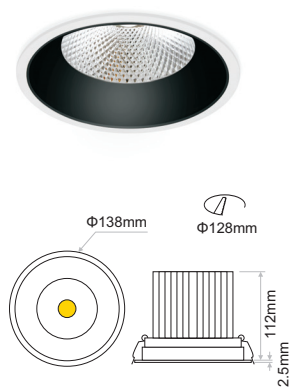
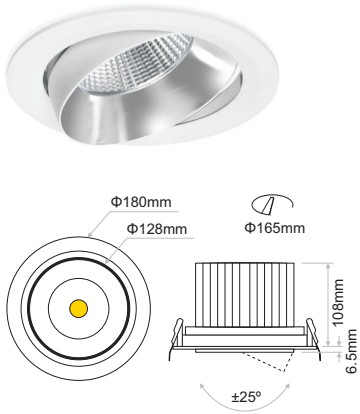


L Adjustable

L Fixed

M Adjustable

M Fixed

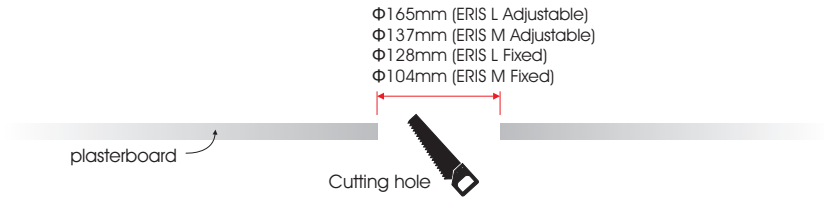
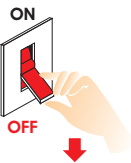


1



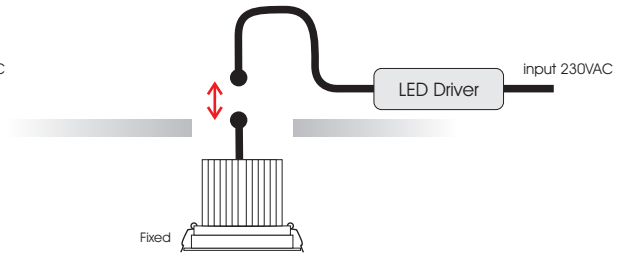
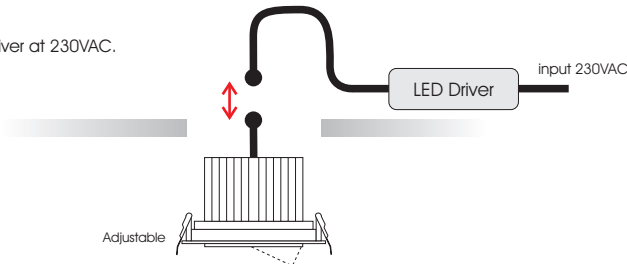
Attention

Before any maintenance switch off the main power.

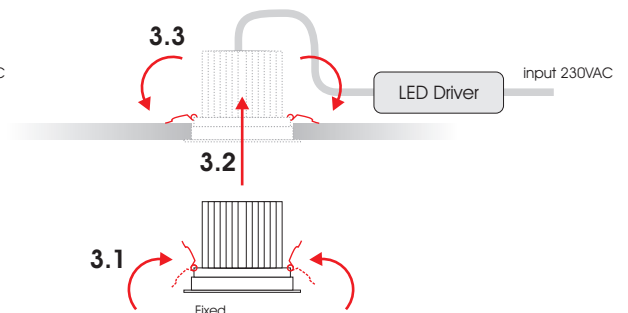
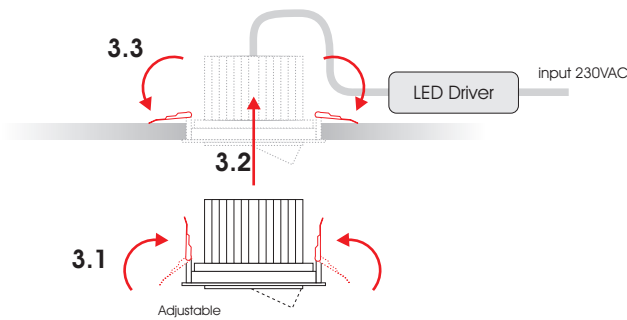


2

Connect the LED Driver at 230VAC.



3



4

