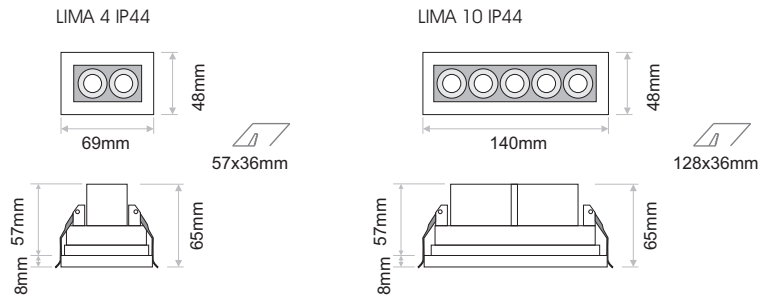
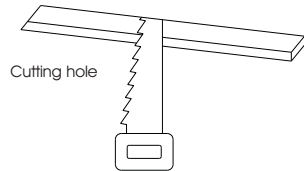
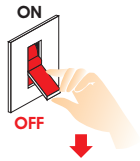


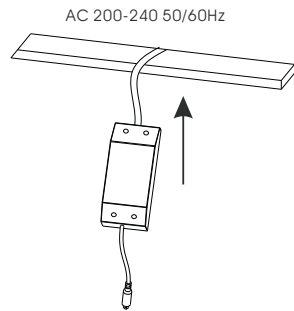
LIMA IP44 Installation Manual



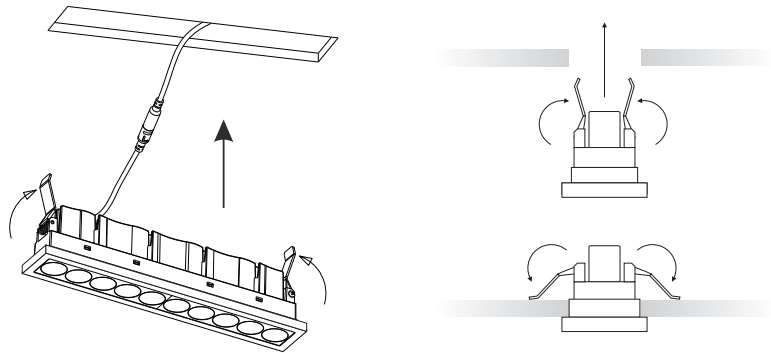
- 1**  **Attention**
Switch off the main power.



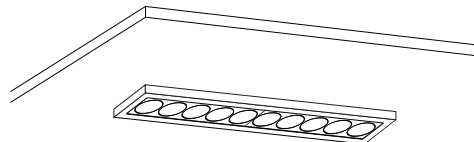
2



3



4



5

