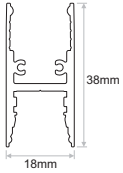


# LINILINE SURFACE

## Aluminium Profile

- Liniline surface aluminium profile.
- Special design and construction to meet the most demanding lighting designs.
- Variety of accessories.
- Available either with lens or with cover (clear, frosted, satin).
- Available also in black, white or different RAL colours upon request.



## Surface

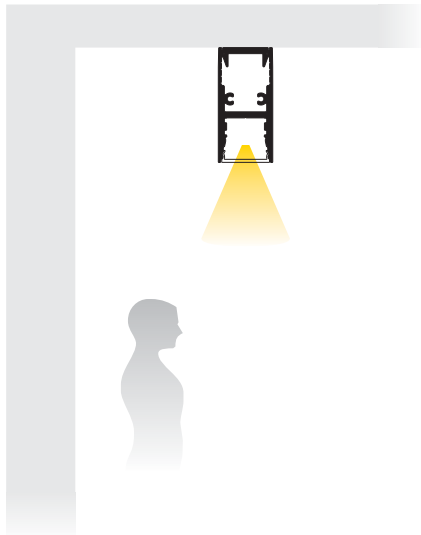

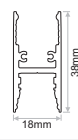

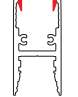

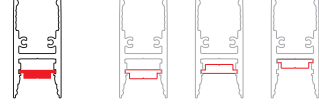

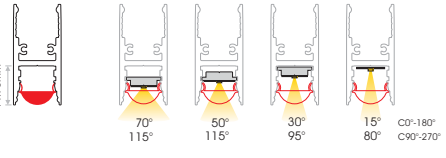

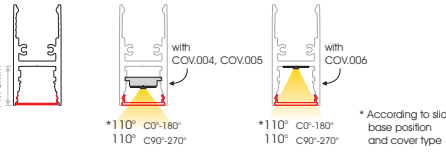

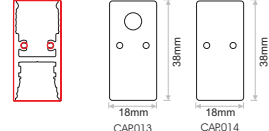


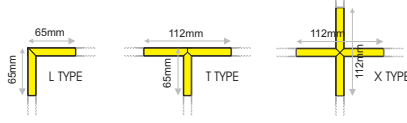


Image	Code	Description	Length	Design-Detail
	<b>PRF.082</b>	LINILINE SURFACE alum.prof. / Anodized	2m	
	<b>PRF.084</b>	LINILINE BASE alum.prof. / Anodized	2m	
	<b>PRF.117</b>	SLIDING BASE alum.prof. / Anodized	2m	
	<b>COV.033</b>	PMMA LENS COVER	2m	
	<b>COV.004</b> <b>COV.005</b> <b>COV.006</b>	PMMA CLEAR COVER PMMA FROSTED COVER PMMA SATIN COVER	2m 2m 2m	
	<b>CAP.013</b> <b>CAP.014</b>	FRONT CAP ALUM. END CAP ALUM.		
	<b>PRH.069</b>	EXTENSION LINE		
	<b>PRH.070</b> <b>PRH.071</b> <b>PRH.072</b>	L TYPE 90° LINILINE SURFACE T TYPE 90° LINILINE SURFACE X TYPE LINILINE SURFACE		
	<b>PRH.073</b> <b>PRH.074</b>	VER-I CORNER 90° LINILINE SURFACE VER-O CORNER 90° LINILINE SURFACE		