

# LINILINE SURFACE (SF)

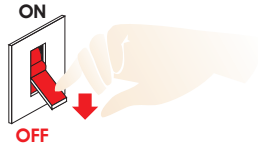
## Installation Manual

1



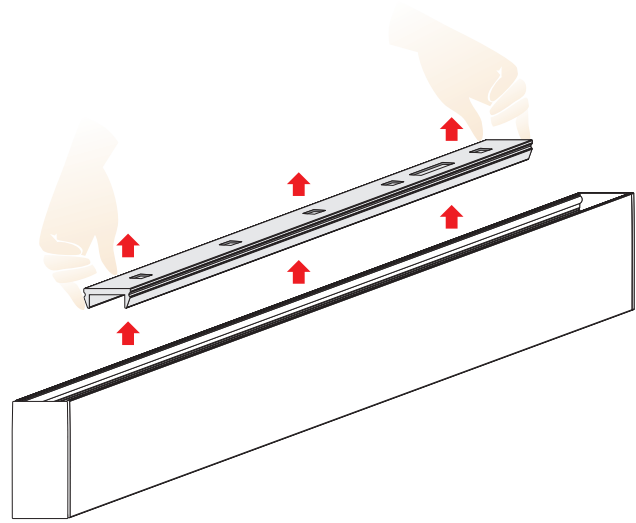
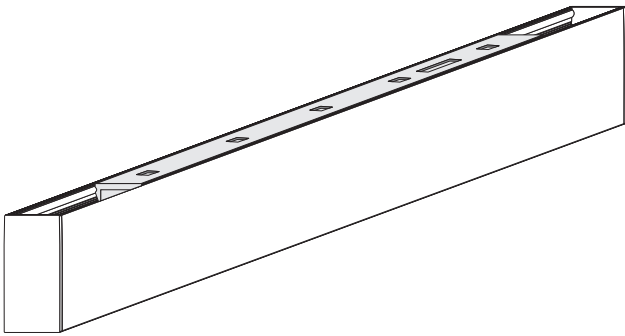
**Attention**

Switch off power at the mains.

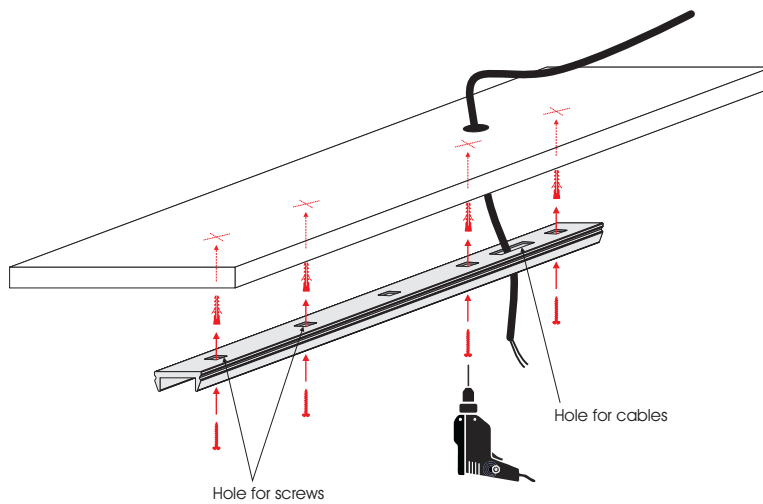


2

Remove the LINILINE BASE from LINILINE luminaire



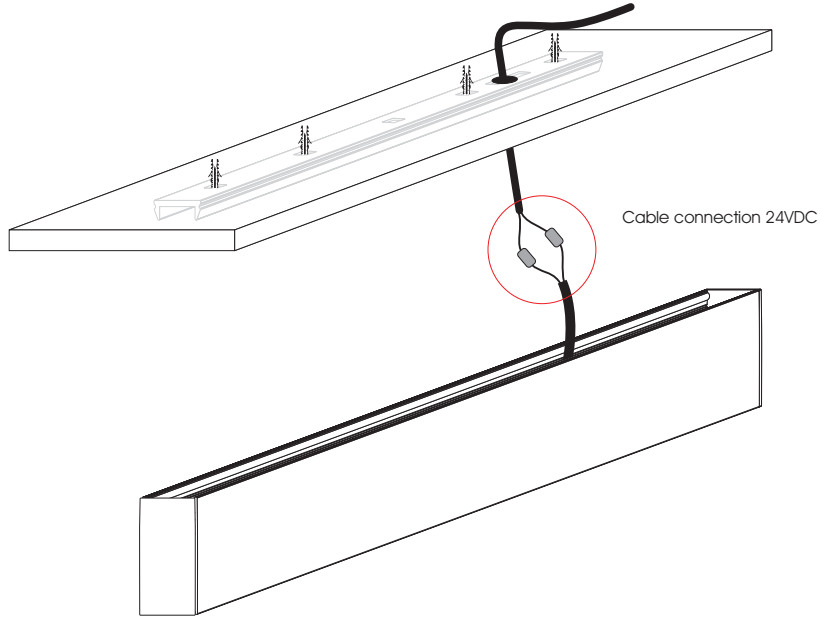
3



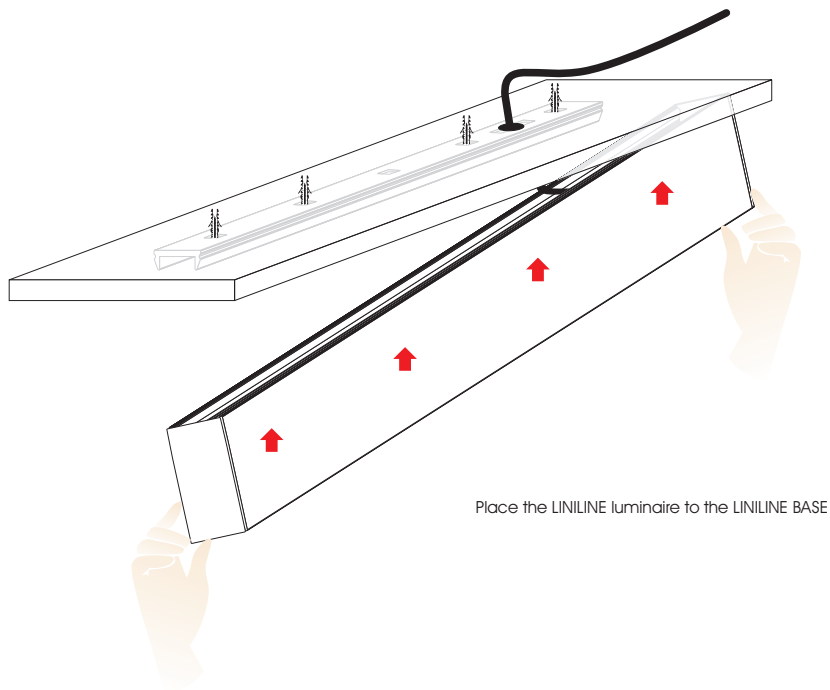
# LINILINE SURFACE (SF)

## Installation Manual

3



4



5

