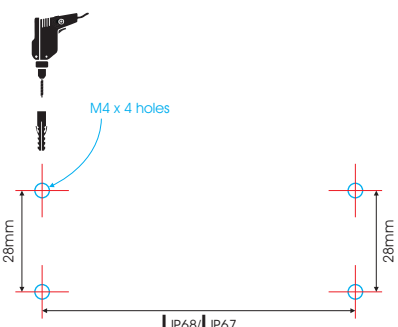


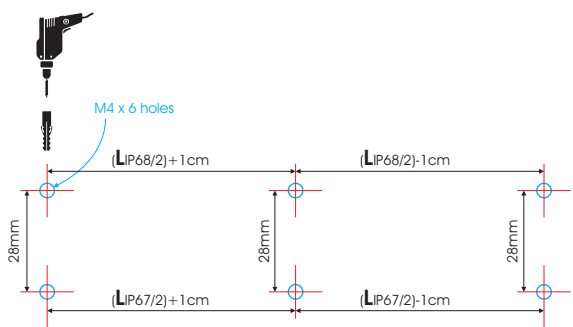
1 Attention
Before any maintenance switch off the power at the mains.



2 a. Open M4 x 4 holes for luminaire length up to 1.19m.

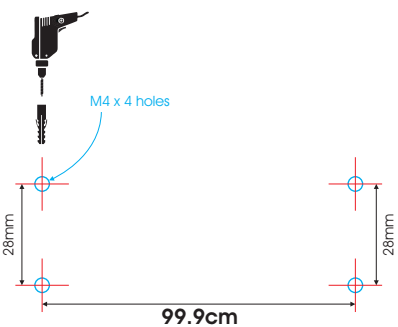


b. Open M4 x 6 holes for luminaire length > 1.19m.

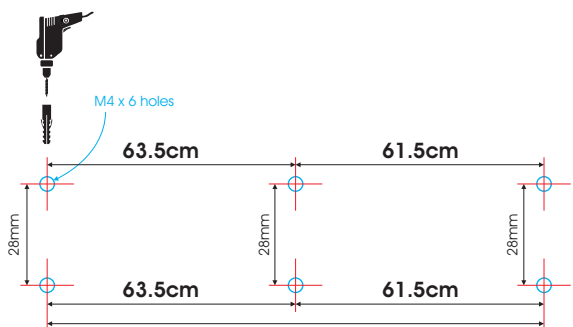


L_{IP68} = Luminaire's length - 8.5cm
 L_{IP67} = Luminaire's length - 8cm

3 a. Drilling holes example with **LUMITUBE IP67-21W-107.9cm**

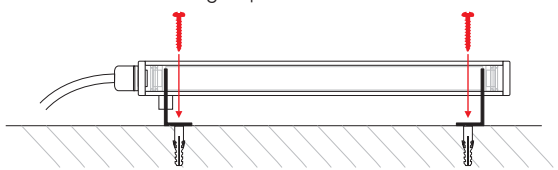


b. Drilling holes example with **LUMITUBE IP68-26.3W-133.5cm**

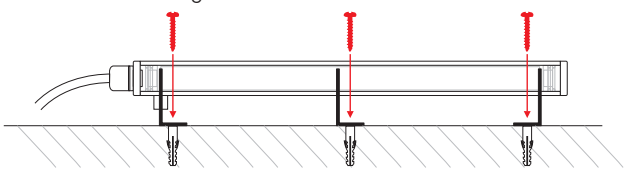


4 Insert the luminaire through its holders and screw the holders with M4 screws. **Caution: Only 1 "knurled nut" holder must be installed per luminaire!**

a. For luminaire length up to 1.19m

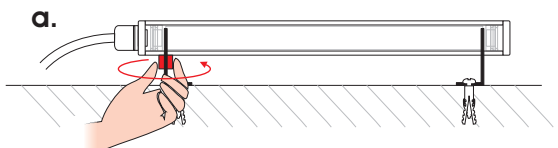


b. For luminaire length > 1.19m

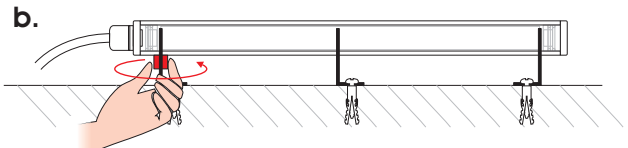


5 Adjust the lighting surface of the luminaire at the desired angle and lock the luminaire in the position by unscrewing the "knurled nut" of the first holder from the left.

a.



b.



6 Ready to use.

