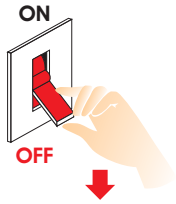


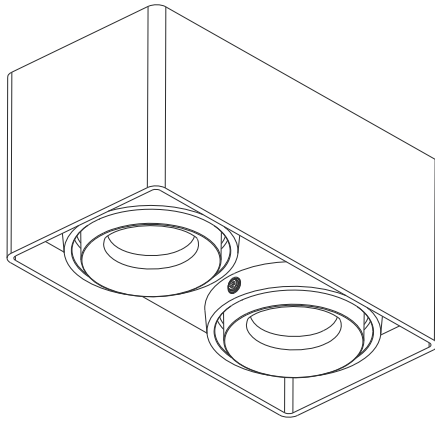
MORETTO Retrofit Square DOUBLE

Installation Manual

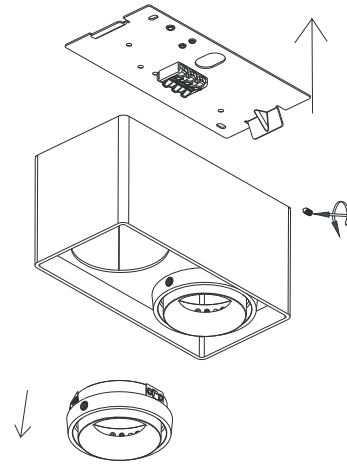
Attention
Before any maintenance
switch off the main power.



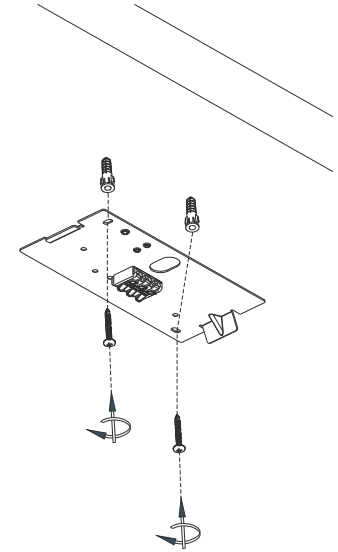
x1 x2 x2



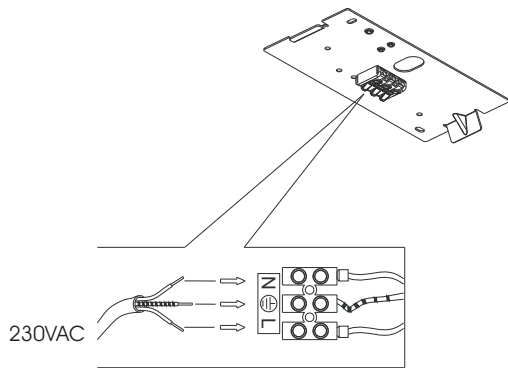
1



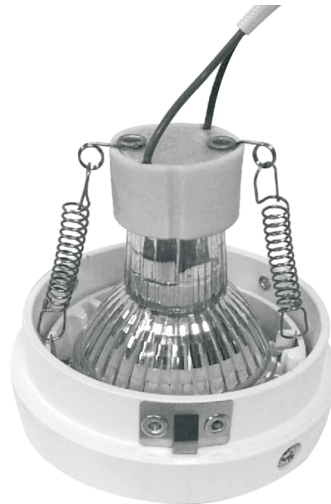
2



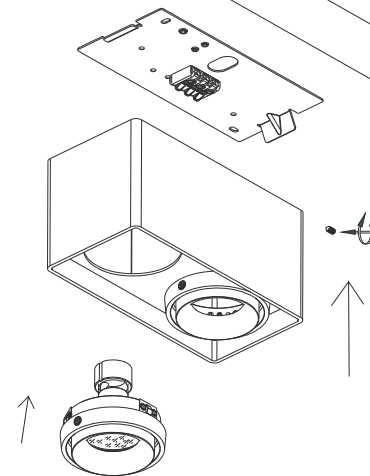
3



4



5



Make sure that the body of the luminaire
is locked properly with the base
before tightening the screw

6

