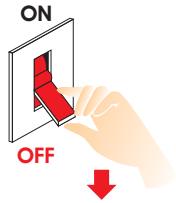


MORETTO Square

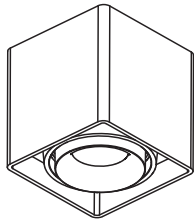
Installation Manual

Attention

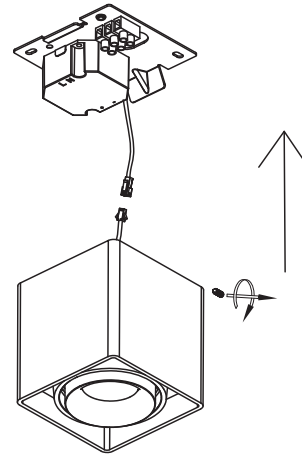
Before any maintenance
switch off the main power.



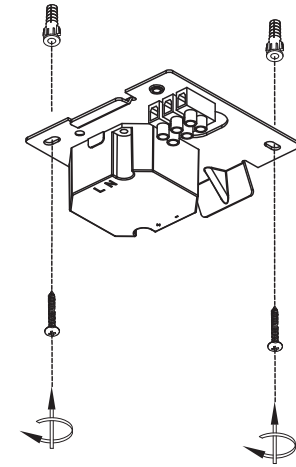
x1 x2 x2



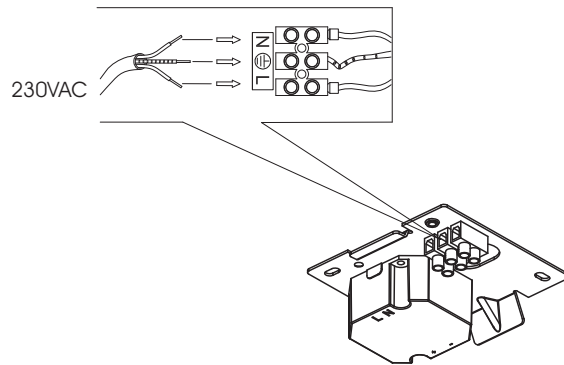
1



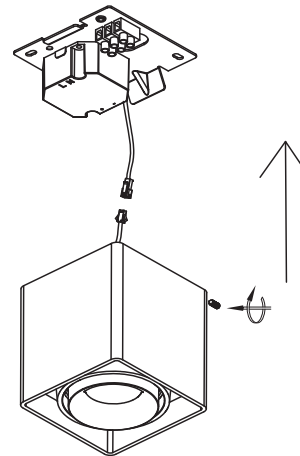
2



3



4



Make sure that the body of the luminaire
is locked properly with the base
before tightening the screw

5

