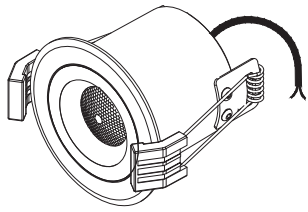
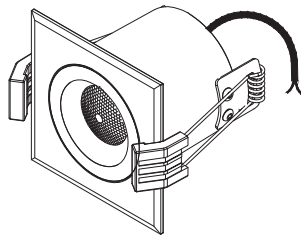


NORDIA - NORDIA SQ

Installation Manual



NORDIA

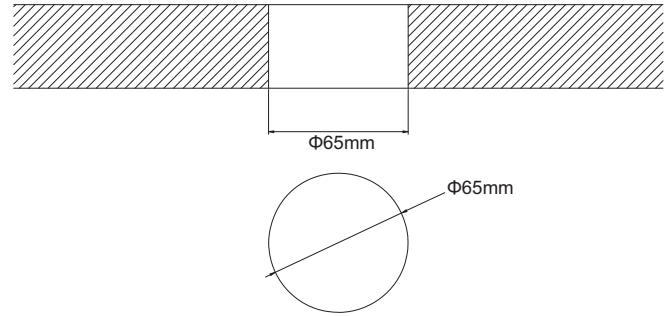
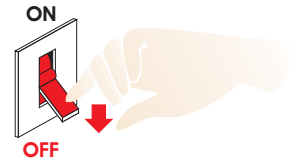


NORDIA SQ

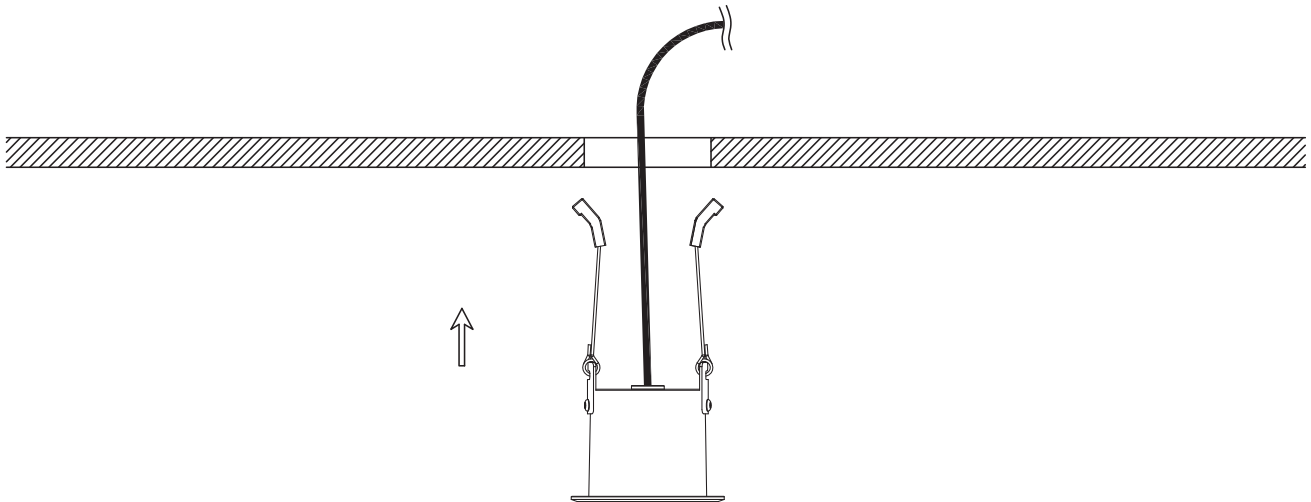
1



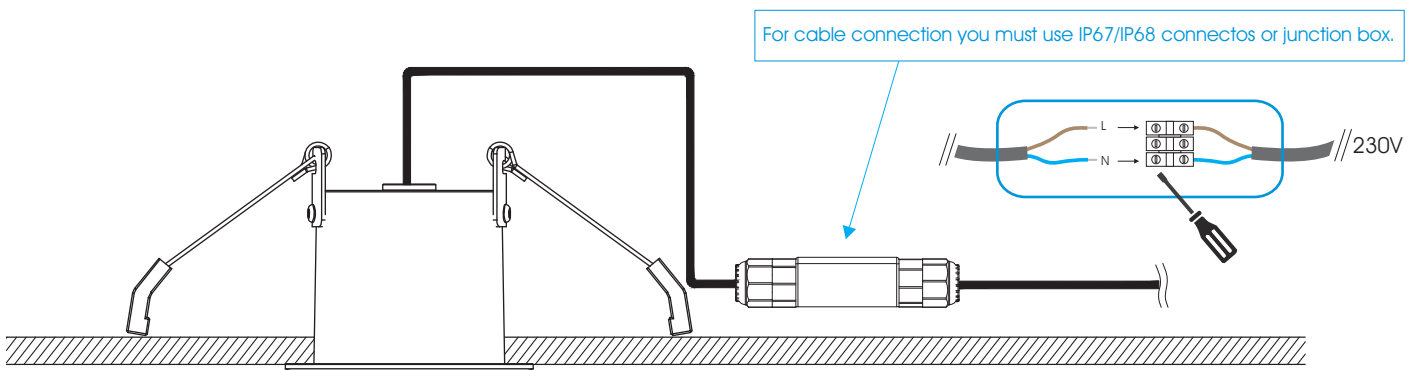
Attention
Before any maintenance
switch off the main power.



2



3



4

