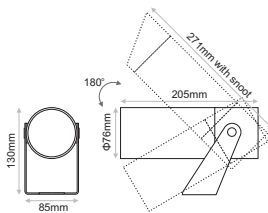


- Oilly projectors consist of two models in terms of consumption: 46 and 27 watt.
- The series offers a variety of accessories: diffuser, honeycomb and snoot to ensure visual comfort.
- Oilly offers accessories in terms of installation: plastic spike, concrete base, belt accessory and pole base.
- It is available in black or white colour as standard but other RAL colours are also available upon request
- Outer cable diameter: 7mm²
- Non dimmable
- L90/ B10 50000h
- Ingress protection: IP66
- Weight: 1.4kg

L90/B10 50.000h

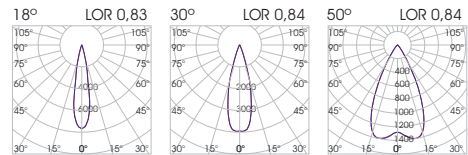






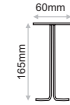


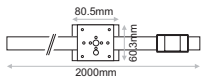


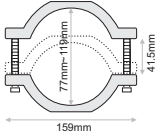

Model	CCT	CRI80 LED Source	Beam Angle	Colour	Voltage	Accessories
		80 (80)				
OLLY 27.3W (OLLY 27)	2700K (27C)	3080lm	18° (NR)	Black (BL)	230VAC Non-Dimmable (230ND)	Standard SNOOT (000) (100) Standard Honeycomb Diffuser (010) (110) (210) extras No Extras (000) Plastic Spike (001) Pole Base* (002) Concrete Base (003) Belt (004)
	3000K (30C)	3310lm	30° (MD)	White (WH)		
	4000K (40C)	3540lm	50° (WD)			
	5000K (50C)	3540lm				

* Pole base supplied black as standard.

Ordering Code Example: OLLY 27-40C-80-MD-BL-230ND-104



Accessories

 <p>ACR.091 Honeycomb</p>	 <p>ACR.020 Concrete base</p> 
 <p>ACR.092 Diffuser</p>	 <p>ACR.077 Belt S Accessory</p> 
 <p>ACR.093 Snoot Black ACRW094 Snoot White</p>	 <p>ACR.111 Pole Base Black ACRW062 Pole Base White</p> 
 <p>ACR.008 Plastic Spike</p> 