

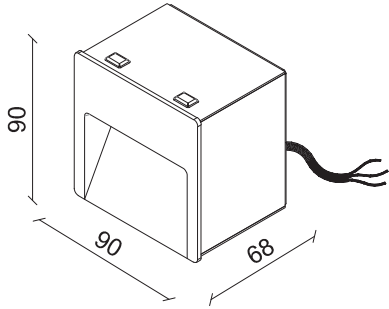
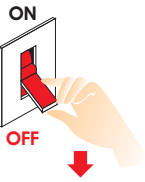
ORIGIN RC SQ 03 (2.9W)

Installation Manual

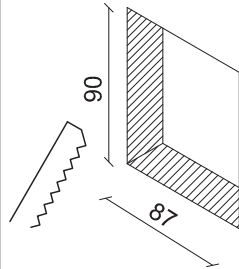


Attention

Before any maintenance switch off the main power.

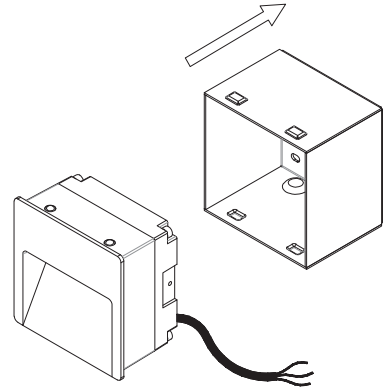


1

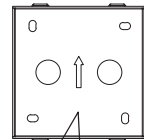
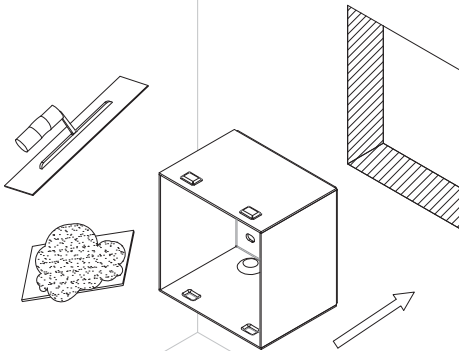


Cut-out 87x90mm

2

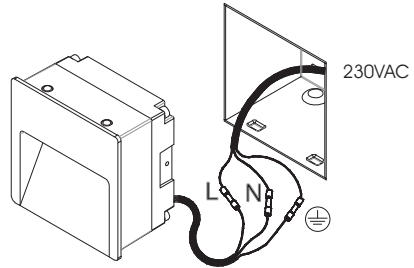


3



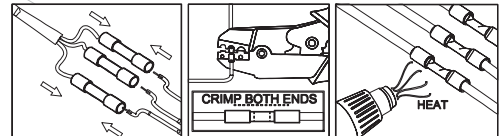
pay attention to direction

4

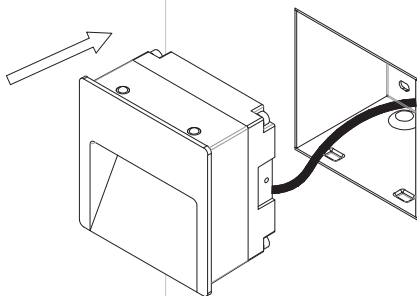


Attention!

Make sure that all connections are properly executed in order to maintain the wiring ip grade.



5



6

