

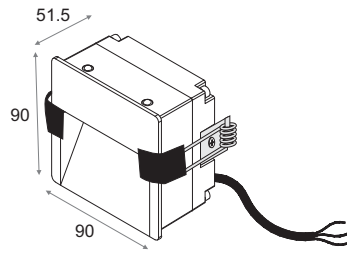
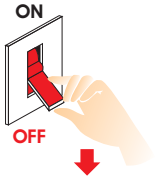
ORIGIN RC SQ 03 (2.9W) with SPRINGS (Optional)

Installation Manual

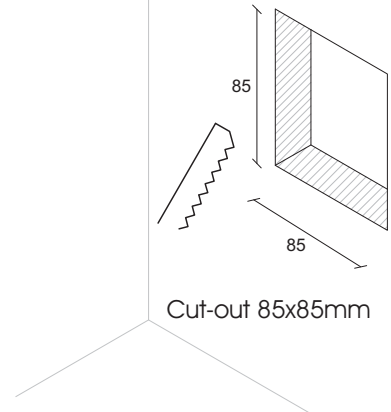


Attention

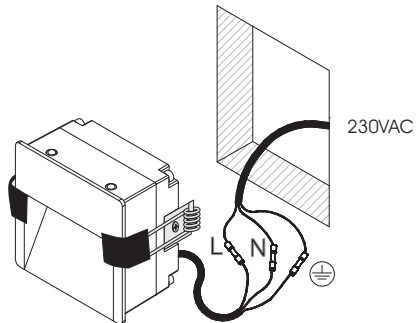
Before any maintenance switch off the main power.



1

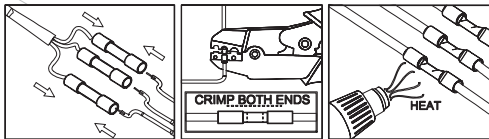


2

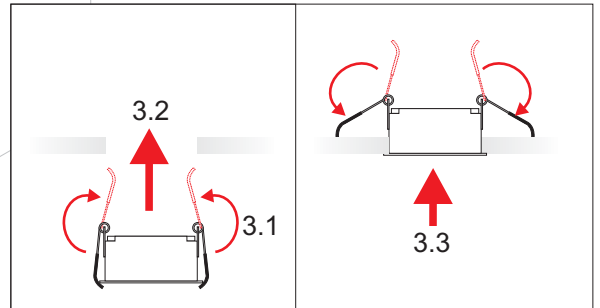
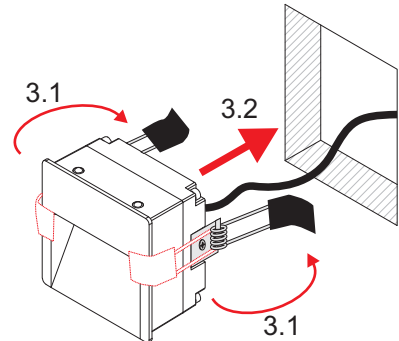


Attention!

Make sure that all connections are properly executed in order to maintain the wiring ip grade.



3



4

