

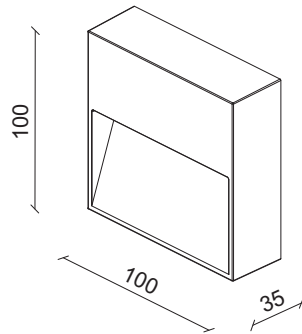
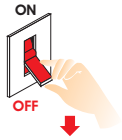
ORIGIN SF SQ 04 (3.9W)

Installation Manual

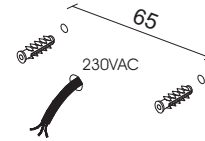


Attention

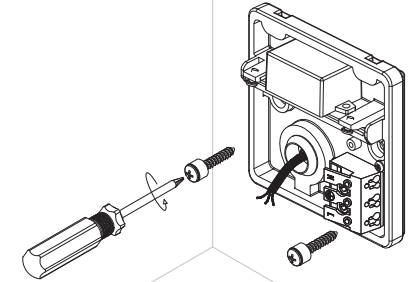
Before any maintenance switch off the main power.



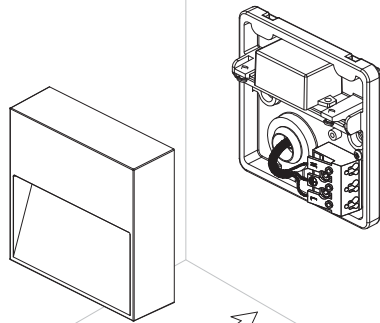
1



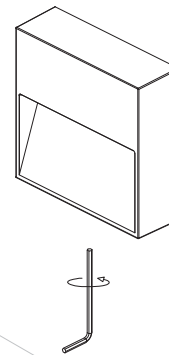
2



3



4



Make sure that the body of the luminaire is locked properly with the base before tightening the screw

5

