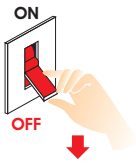
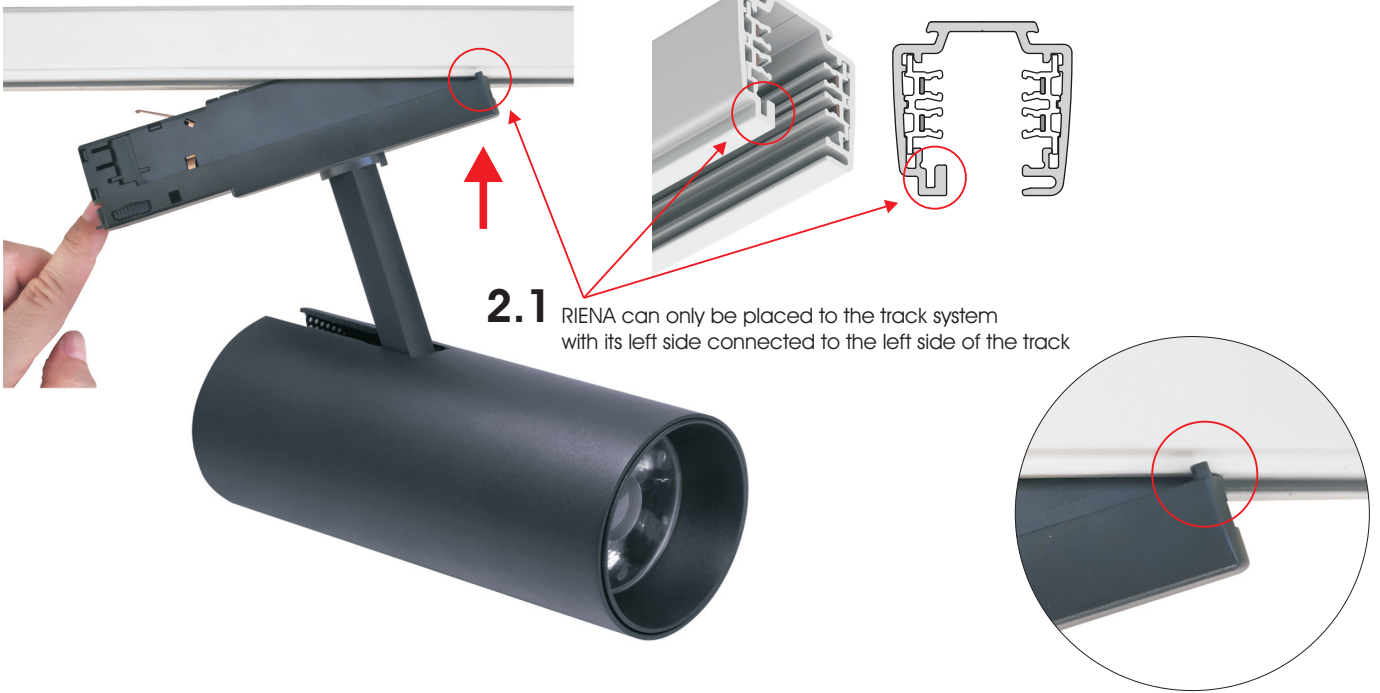


1



**Attention**  
Switch off the main power.

2



**2.1** RIENA can only be placed to the track system with its left side connected to the left side of the track

3

Select number 1, 2 or 3 by turning the selection switch for the phases 1, 2 and 3 accordingly.

**3.3**

**3.2**  
Secure RIENA from the back side by turning the safety switch clockwise.

**3.1**

Dock RIENA to the desired position in the track system.



**Note:**  
For undocking you must first place the phase selection switch to "OFF" position.