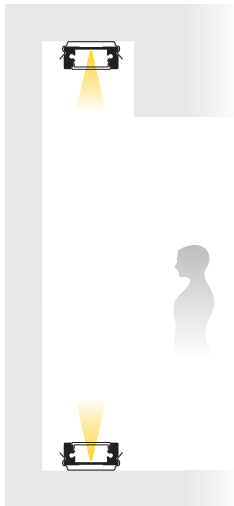
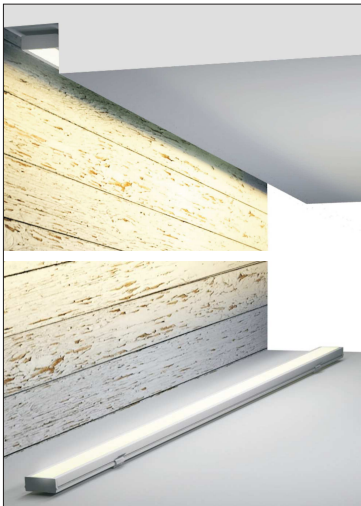


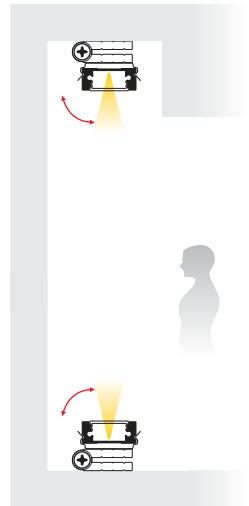
ELECSIA / ELECSIA IP67

Installation Guide

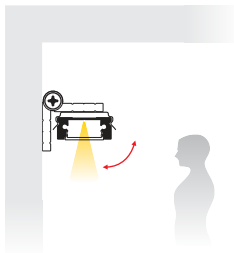
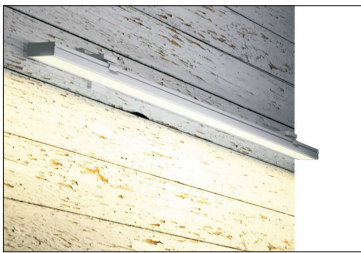
26052020



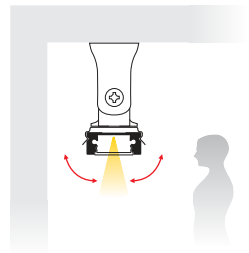
FIXED installation



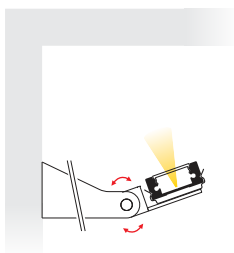
SURFACE A installation



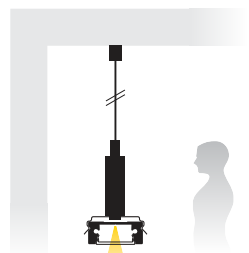
SURFACE B installation



SURFACE C installation



WALL BRACKET installation



PENDANT installation

ELECSIA / ELECSIA IP67

Mounting Types Installation Guide

Select the mounting type of the luminaire, according to the illustration below and follow the steps for each type.

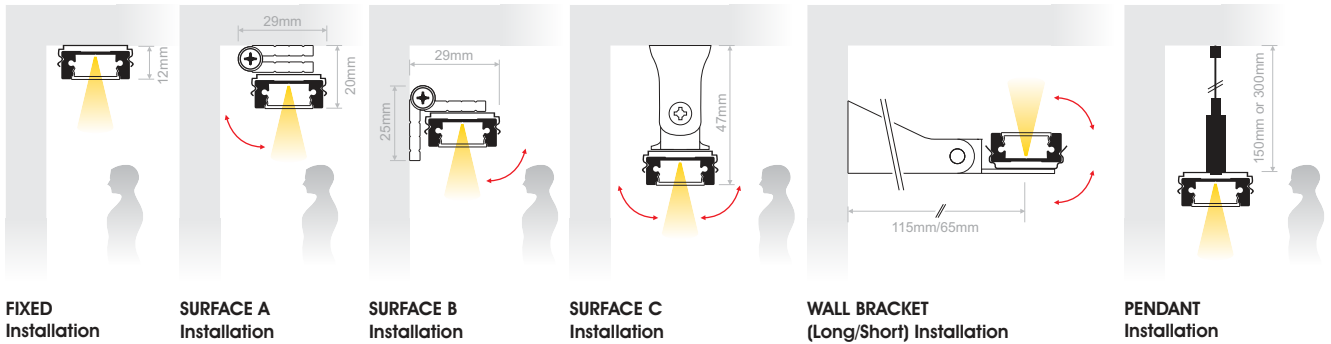
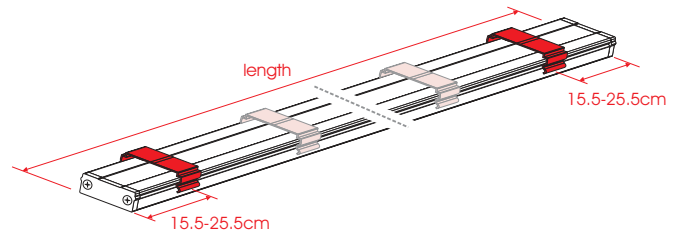
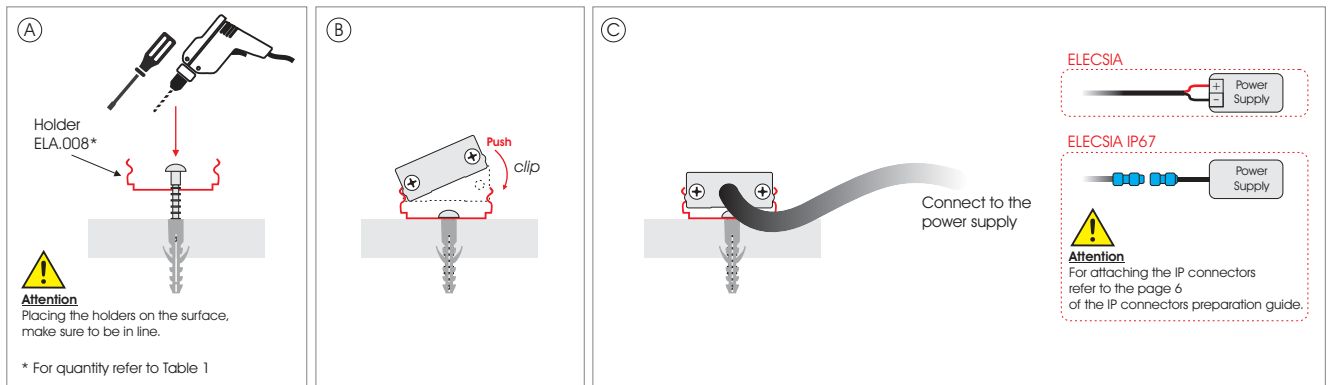


Table 1
Quantity of mounting components

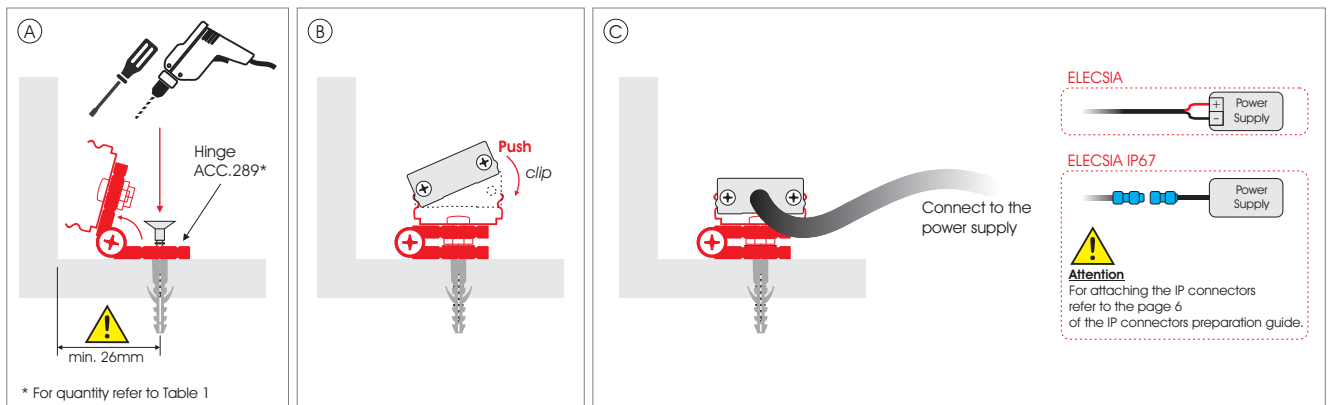
Length (m)	up tp 1.1	1.11-1.7	1.71-2.3	2.31-2.9	2.91-3.5	3.51-4
Quantity	2	3	4	5	6	7



FIXED Installation



SURFACE A Installation

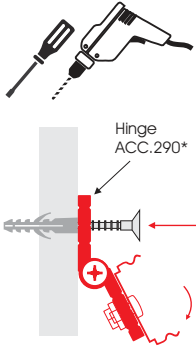


ELECSIA / ELECSIA IP67

Mouniting Types Installation Guide

SURFACE B Installation

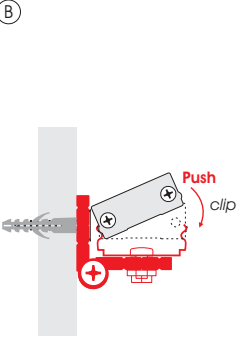
A



Hinge
ACC.290*

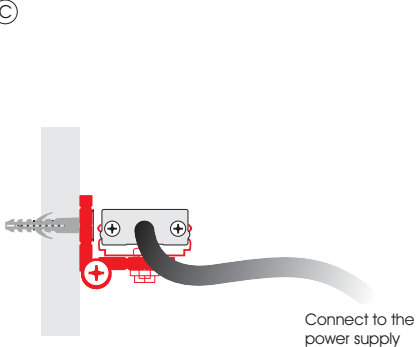
* For quantity refer to Table 1

B



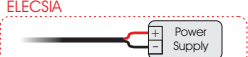
Push
clip

C

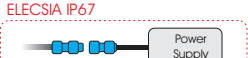


Connect to the power supply

ELECSIA



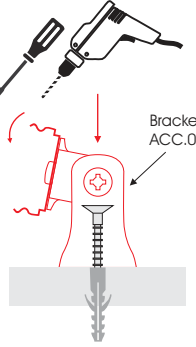
ELECSIA IP67



Attention
For attaching the IP connectors refer to the page 6 of the IP connectors preparation guide.

SURFACE C Installation

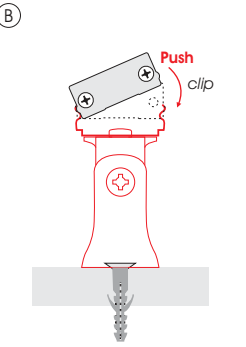
A



Bracket
ACC.048*

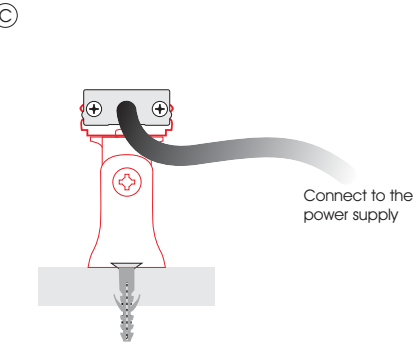
* For quantity refer to Table 1

B



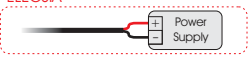
Push
clip

C

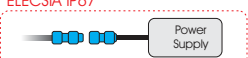


Connect to the power supply

ELECSIA



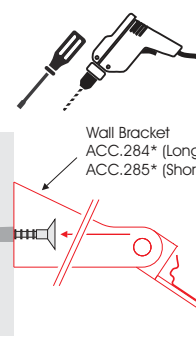
ELECSIA IP67



Attention
For attaching the IP connectors refer to the page 6 of the IP connectors preparation guide.

WALL BRACKET Installation

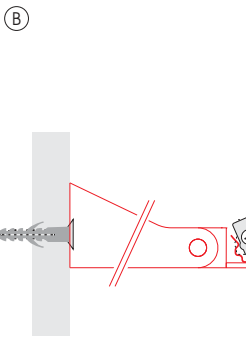
A



Wall Bracket
ACC.284* (Long)
ACC.285* (Short)

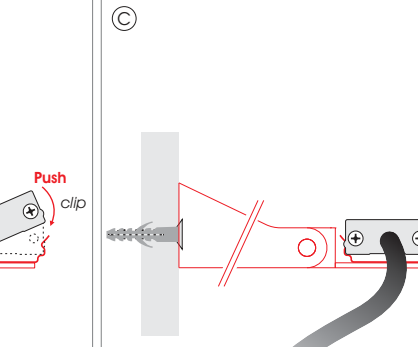
* For quantity refer to Table 1

B



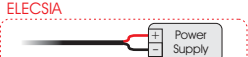
Push
clip

C

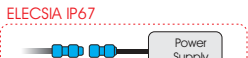


Connect to the power supply

ELECSIA



ELECSIA IP67



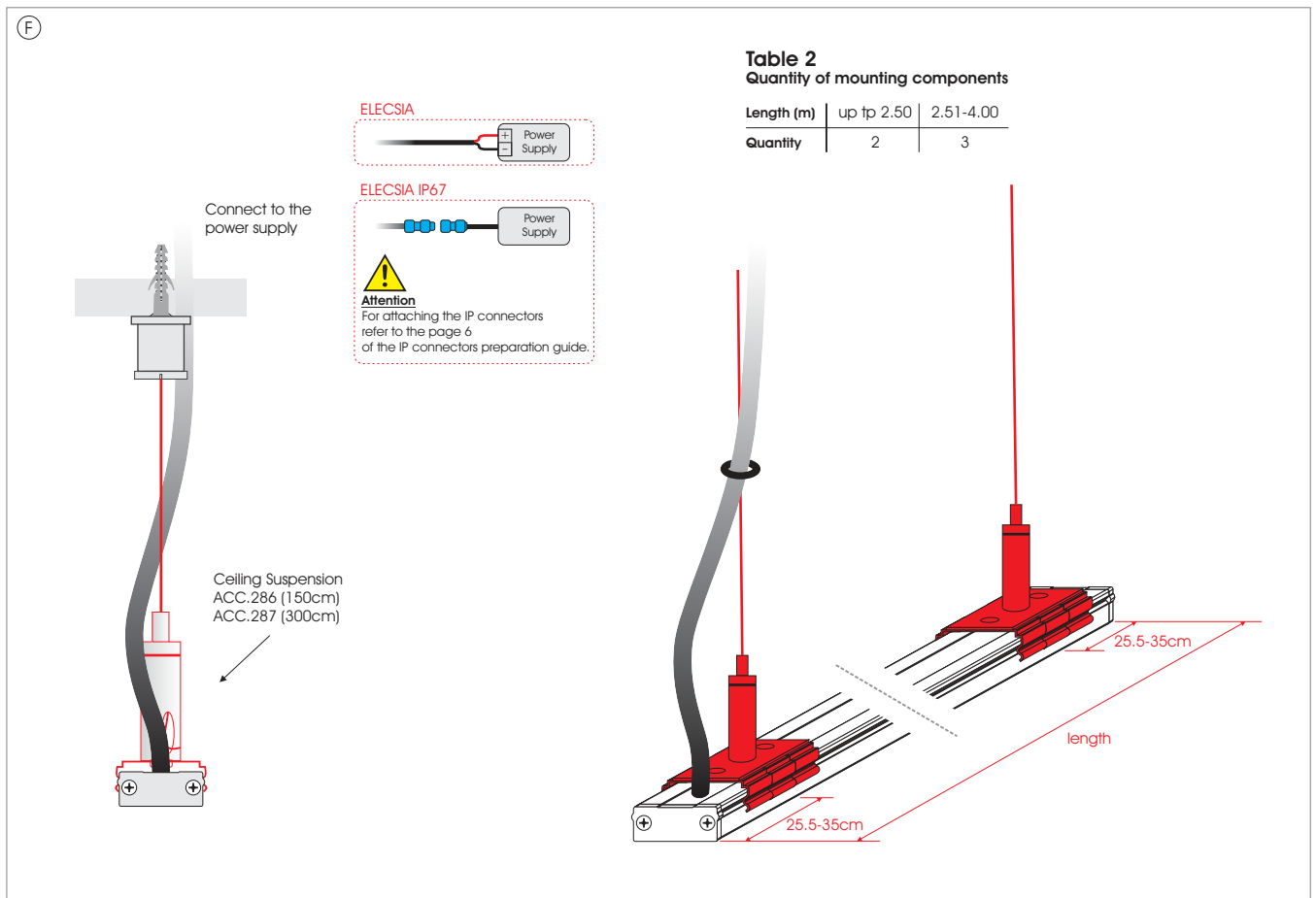
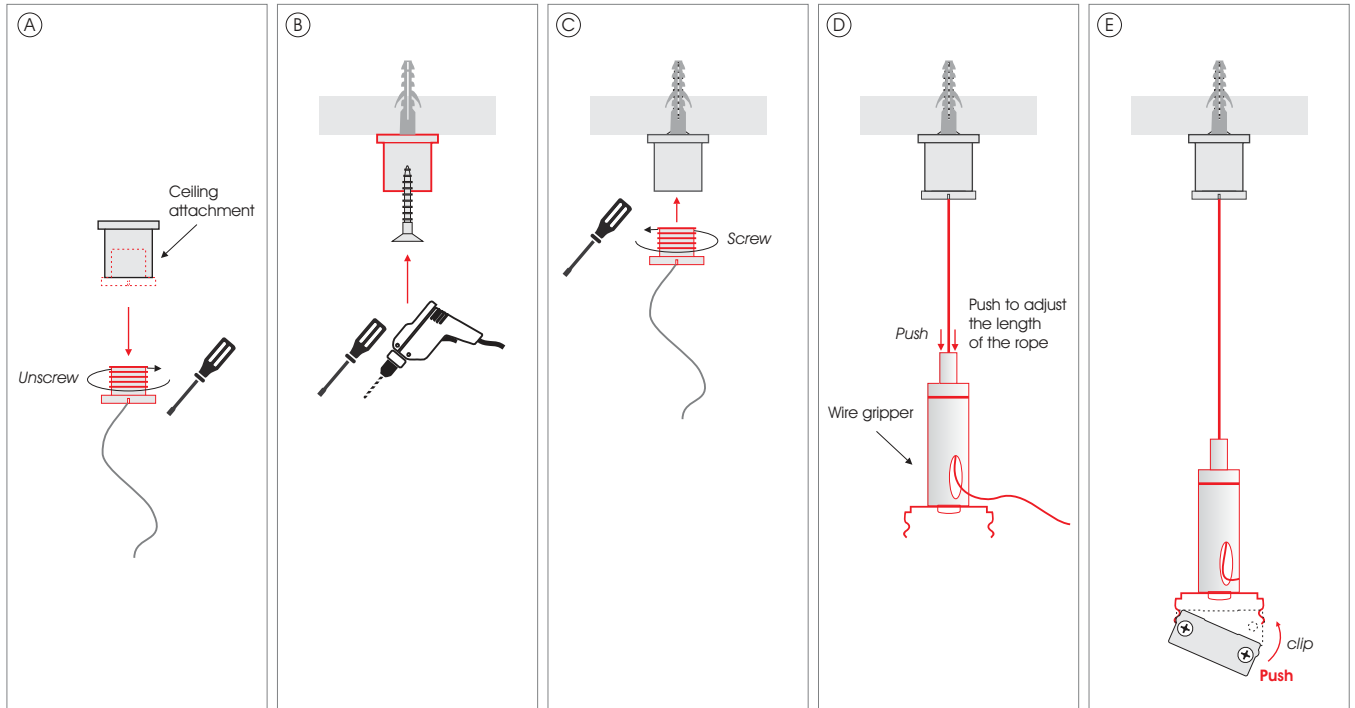
Attention
For attaching the IP connectors refer to the page 6 of the IP connectors preparation guide.



ELECSIA / ELECSIA IP67

Mounting Types Installation Guide

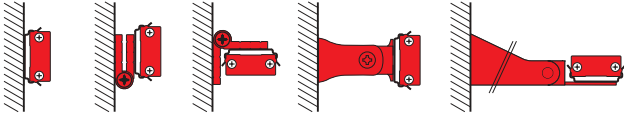
PENDANT Installation



ELECSIA / ELECSIA IP67

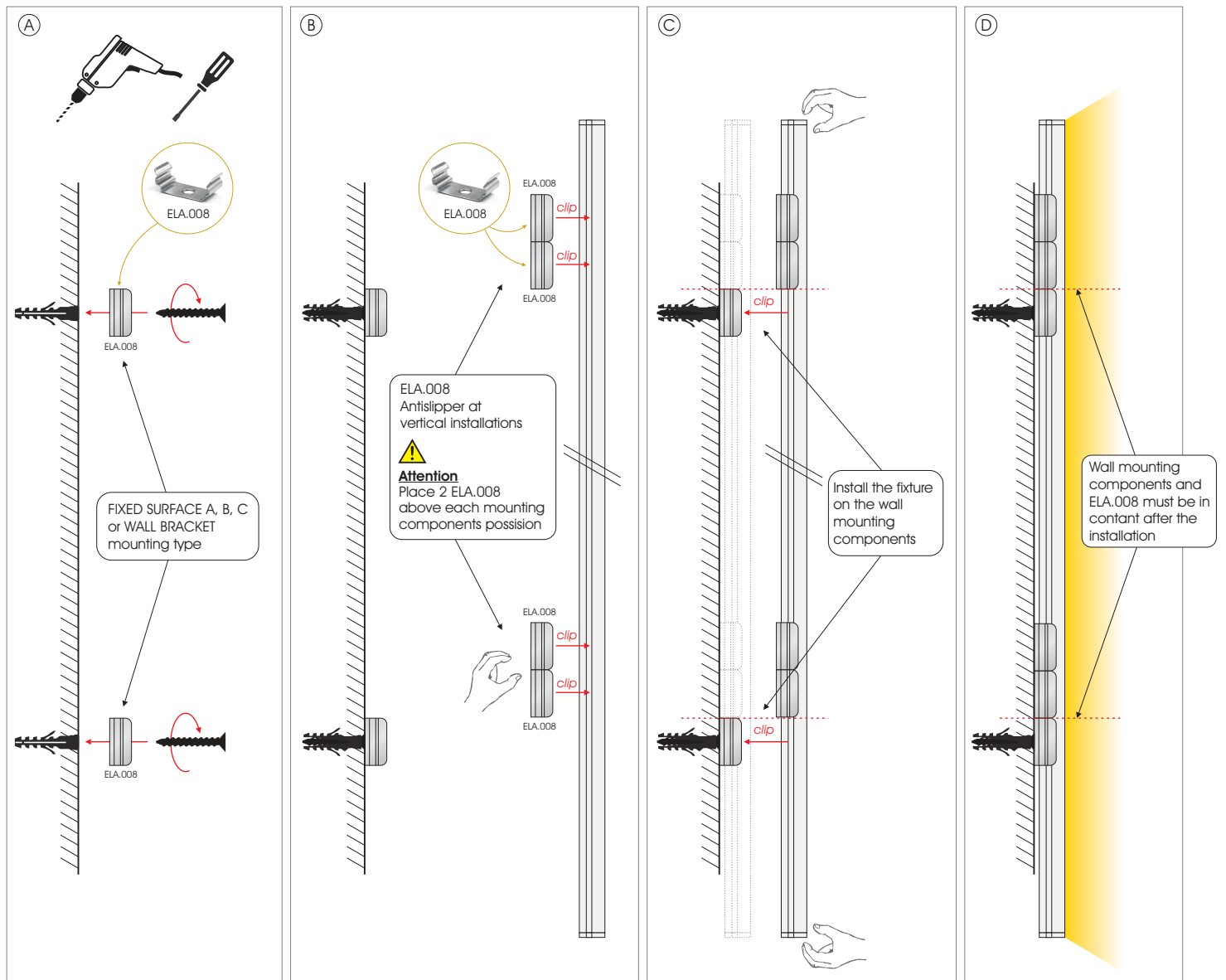
Antislipping at Vertical Installation

FIXED, SURFACE A, B, C, and WALL BRACKET (Long/Short) mounting types



To secure the luminaire's position from slipping, you may use the antislipper accessory ELA.008 (2 for each mounting component), in a way that the illustration shows.

Note:
The fixed vertical installation is illustrated as an example. The same methodology will be applied for all other installation types.



ELECSIA / ELECSIA IP67

IP Connectors Preparation Guide

Waterproof

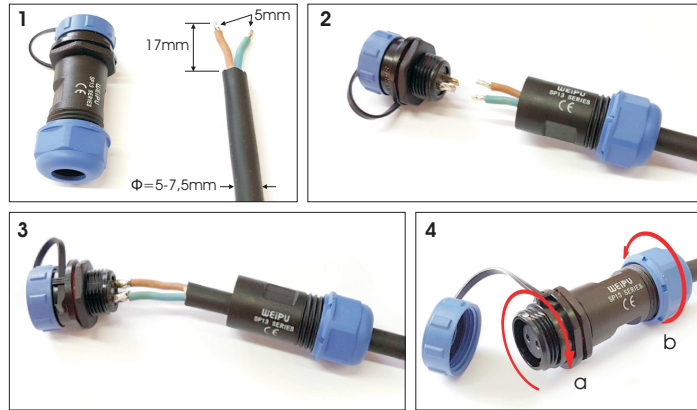
Assembling and soldering process for the power plugs.

For assembling and soldering the 2 poles power plugs to the proper cable (same for 3p 4p and 5p cable), the following procedure must be followed in order to be ensured the correct soldering of the cables and the impermeability of the plugs to water.



Attention

This procedure is very important. Thus, if is not completed correctly, there is chance of water leakage through the plugs inside luminaire.



Picture 1. The cable that will be used need to have outer diameter 5-7,5mm. Remove the outer cable insulation by 17mm (maximum) and then remove the two inner insulations from the cables by exact 5mm.

Picture 2. Unscrew the front side from the plug. Insert the cable to the main body of the plug from cable gland's side. Galvanize cable's copper and terminals inside the plug.

Picture 3. Solder the cables to the plug's terminals.

Picture 4a. Screw and well tighten the side of the terminals to the main body. In order for strong tightening to be achieved, connect the plug to its corresponding male or female pair and repeat the previous procedure.

Picture 4b. Cable's gland has to be strongly tightened.

Cables and power connectors description.

Luminaire is delivered with or without power connectors. When connectors are not available the cables will have color coding as mentioned in the parentheses. When connectors are available each pole has a numeric description. In the brackets below you can find the number as it is marked on each cable.

Monochromatic Models.

Male 2p. Female 2p.



Terminal 1: +24V. (Color: Red) [Cable No1]
Terminal 2: 0V. (Color: Black) [Cable No2]

Tunable white (Warm-Cool) Models.

Male 3p. Female 3p.



Terminal 1: +24V. (Color: Black) [Cable No1]
Terminal 2: Warm. (Color: Yellow) [Cable No 2]
Terminal 3: Cool. (Color: Blue) [Cable No3]

Tunable white (Warm-Neutral-Cool) Models.

Male 4p. Female 4p.



Terminal 1: +24V. (Color: Black) [Cable No1]
Terminal 2: Warm. (Color: Yellow) [Cable No2]
Terminal 3: Neutral. (Color: White) [Cable No3]
Terminal 4: Cool. (Color: Blue) [Cable No4]

RGB Models.

Male 4p. Female 4p.



Terminal 1: +24V. (Color: Black) [Cable No1]
Terminal 2: Red. (Color: Red) [Cable No2]
Terminal 3: Green. (Color: Green) [Cable No3]
Terminal 4: Blue. (Color: Blue) [Cable No4]

RGBW Models.

Male 5p. Female 5p.



Terminal 1: +24V. (Color: Black) [Cable No1]
Terminal 2: Red. (Color: Red) [Cable No2]
Terminal 3: Green. (Color: Green) [Cable No3]
Terminal 4: Blue. (Color: Blue) [Cable No4]
Terminal 5: White. (Color: White) [Cable No5]

