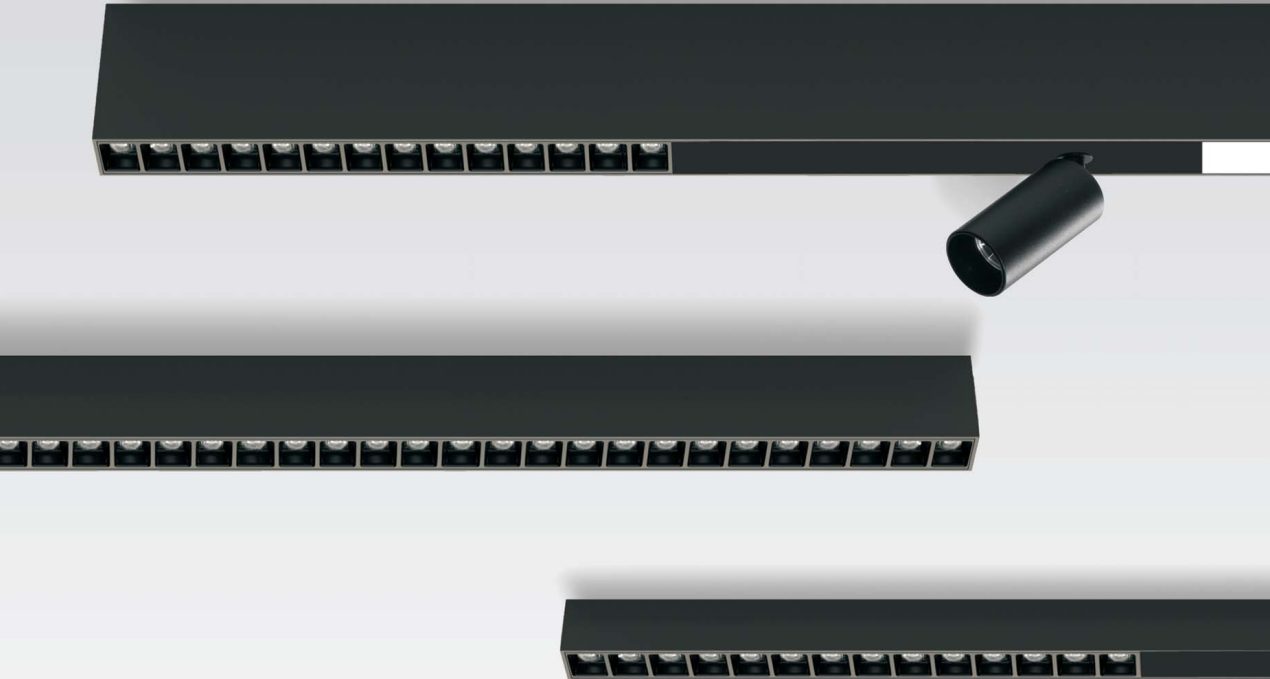


# LINK Modular





LINK stands as the newest member of the linear interior family, introducing a versatile array of options to fulfill diverse lighting needs. Notably, it boasts a low Unified Glare Rating (UGR), guaranteeing a glare rating of less than 19. This feature positions LINK as an optimum choice for environments where reducing glare is paramount, with a particular emphasis on enhancing the overall lighting quality within workplace settings. The incorporation of this aligns LINK with the highest standards, making it a compelling solution for those seeking an optimal blend of functionality and visual comfort.

- Link is offered as standard option linear luminaire with the choice of directional, diffused or spots LED.
- It is also offered in superior models with the option of customizing the output of the luminaire every 28cm, and further customized options are also available upon request.
- Besides the above, Link is offered as a modular system with the ability to combine profile, accessories and modules and create unique luminaires.
- Directional and diffused options are offered with Samsung LED: L90/B10 >50.000h
- Spot options are offered with Cree LED: L90/B10 >50.000h, 3SDCM
- Indoor use: IP40

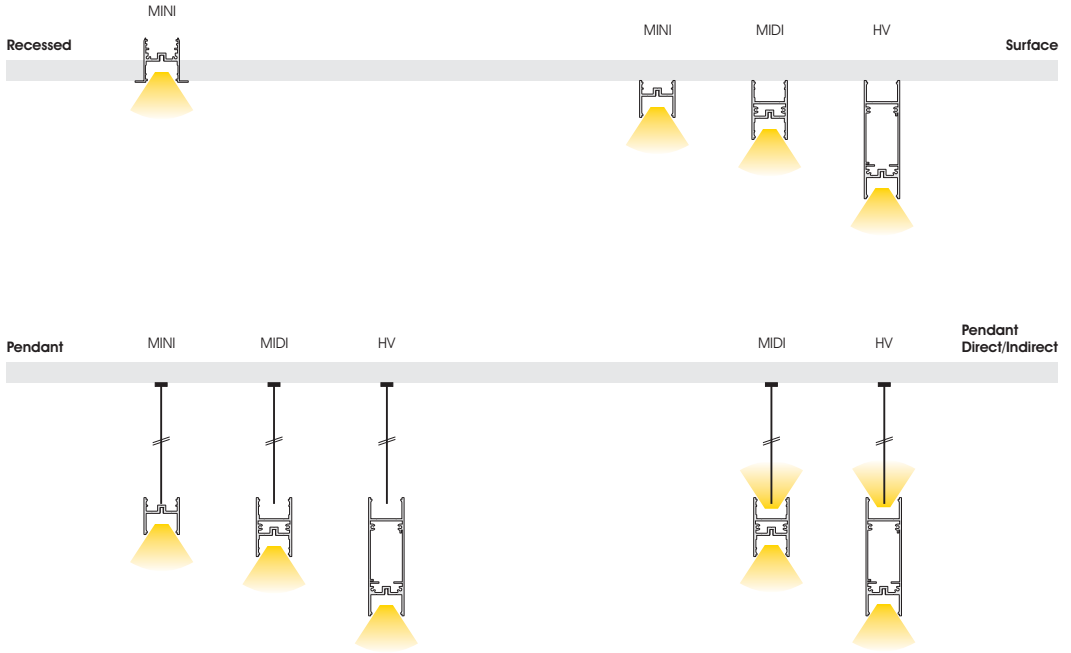
Lighting management options:

On-Off/DALI/0..10V/1..10V/DMX512/PHASE CUT/PUSH BUTTON/Bluetooth

**Available upon request:**

- ✓ Custom dimensions
- ✓ Custom luminaire colours
- ✓ Custom LED output combinations



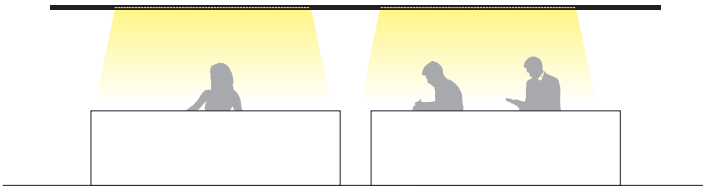
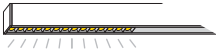


Standard Colours:  
Custom RAL Colours available upon request

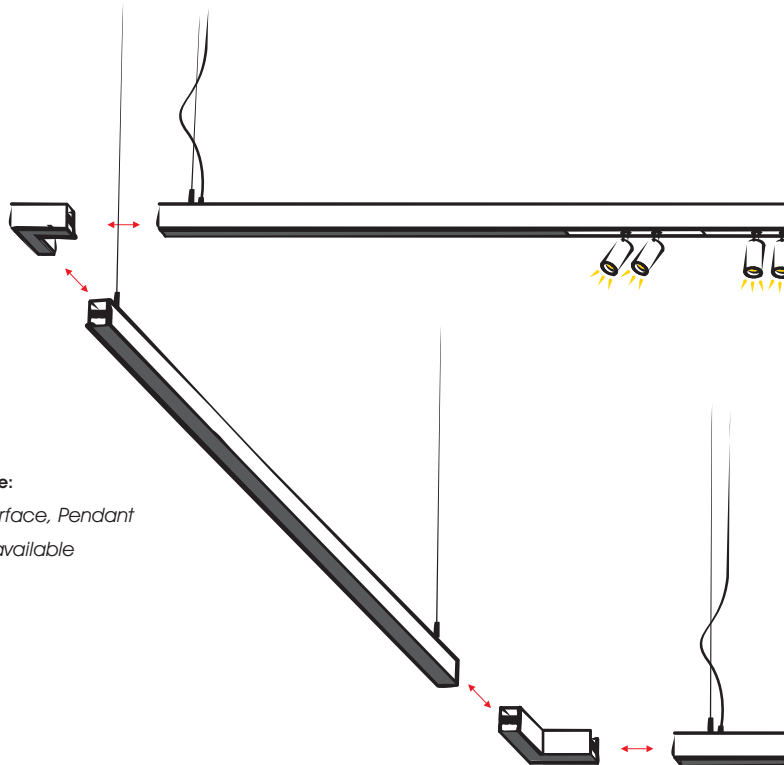
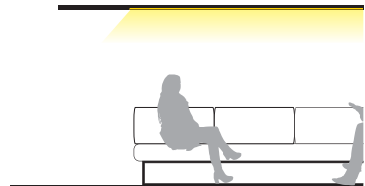




DIRECTIONAL



DIFFUSED



Create your own luminaire according to the:

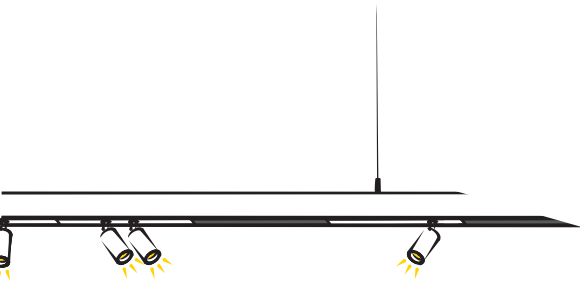
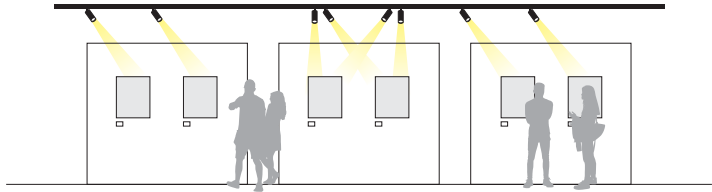
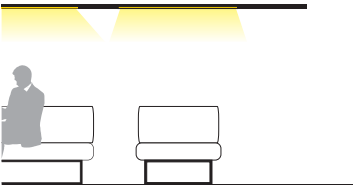
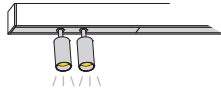
- ✓ Type of installation: Recessed, Surface, Pendant
- ✓ Space geometry: L, T, X options available

Install the appropriate lighting module

- ✓ Directional
- ✓ Spotlight
- ✓ Diffused
- ✓ Blank

Enjoy the unity of a space with a continuous luminaire versatile in the light output according to the functionality of each area.

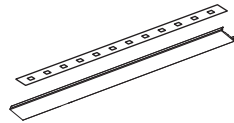
ACCENT



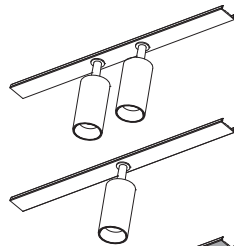
Directional



Diffused



Accent



Blank

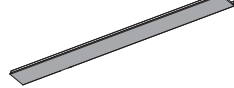



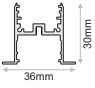

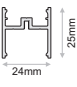

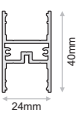

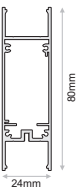

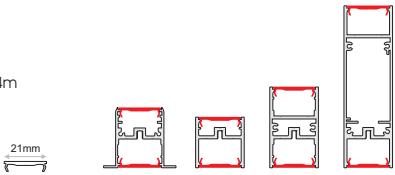

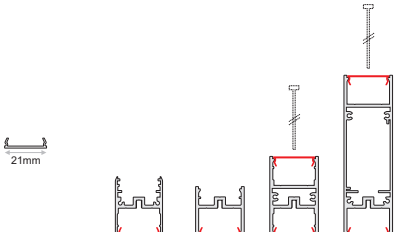


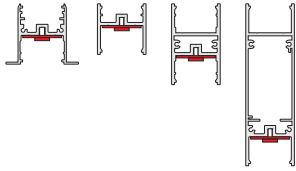

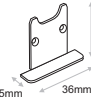
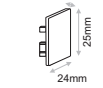


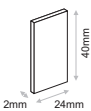
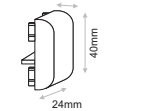


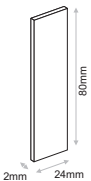
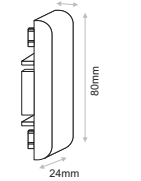

Image	Code	Description	Colour	Length	Design-Detail
	<b>PRF.184</b> <b>PRFW184</b> <b>PRFB184</b>	LINK MINI RC alum.prof.	Anodized White Black	2m, 4m	
	<b>PRF.180</b> <b>PRFW180</b> <b>PRFB180</b>	LINK MINI alum.prof.	Anodized White Black	2m, 4m	
	<b>PRF.182</b> <b>PRFW182</b> <b>PRFB182</b>	LINK MIDI alum.prof.	Anodized White Black	2m, 4m	
	<b>PRF.183</b> <b>PRFW183</b> <b>PRFB183</b>	LINK HV alum.prof.	Anodized White Black	2m, 4m	
	<b>PRF.181</b> <b>PRFW181</b> <b>PRFB181</b>	LINK BASE/BLANK alum.prof.	Anodized White Black	2m, 4m	
	<b>COV.054</b> <b>COV.055</b> <b>COV.061</b>	PC MILKY COVER PC FROSTED COVER MICROPRISMATIC COVER	2m, 4m 2m, 4m 2m		



Image	Code	Description / Colour	Length	Design-Detail								
	<b>TIV.540</b> <b>TIV.541</b> <b>TIV.542</b>	<p>LIGHTSOURCE BY   <b>L80/B10 50.000h</b>  <b>3 Step MacAdam</b></p> <table border="1"> <tr> <td>28LED/5.6W/28cm</td> <td>2700K 633lm</td> <td rowspan="3">24VDC / CRI90+ / IP20</td> <td rowspan="3">5.6m/reel</td> </tr> <tr> <td></td> <td>3000K 650lm</td> </tr> <tr> <td></td> <td>4000K 685lm</td> </tr> </table> <p>Note: Cutting points every 7cm</p>	28LED/5.6W/28cm	2700K 633lm	24VDC / CRI90+ / IP20	5.6m/reel		3000K 650lm		4000K 685lm		
28LED/5.6W/28cm	2700K 633lm	24VDC / CRI90+ / IP20	5.6m/reel									
	3000K 650lm											
	4000K 685lm											
	<b>CAP.166</b> <b>CAPW166</b> <b>CAPB166</b>	LINK MINI RC Cap   Anodized White Black	LINK MINI RC Cap 	LINK MINI Cap 								
	<b>CAPW167</b> <b>CAPB167</b>	LINK MINI Cap   White Black										
	<b>CAP.168</b> <b>CAPW168</b> <b>CAPB168</b>	LINK MIDI Cap   Anodized White Black	LINK MIDI Cap 	LINK MIDI Curved Edge Cap 								
	<b>CAPW170</b> <b>CAPB170</b>	LINK MIDI Curved Edge Cap   White Black										
	<b>CAP.169</b> <b>CAPW169</b> <b>CAPB169</b>	LINK HV Cap   Anodized White Black	LINK HV Cap 	LINK HV Curved Edge Cap 								
	<b>CAPW171</b> <b>CAPB171</b>	LINK HV Curved Edge Cap   White Black										

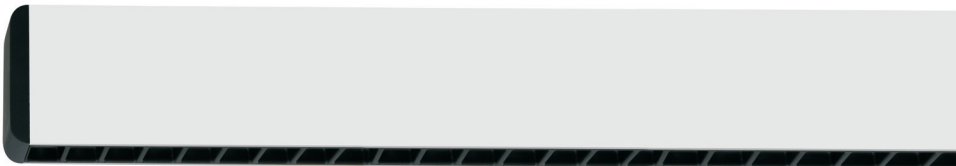

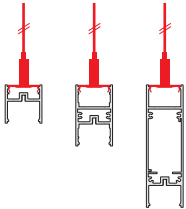

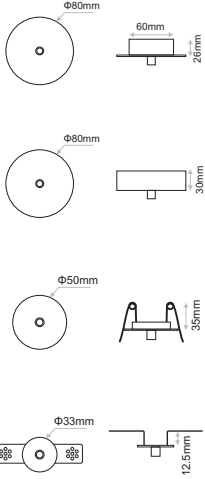

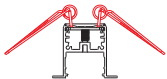

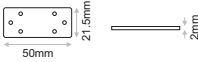


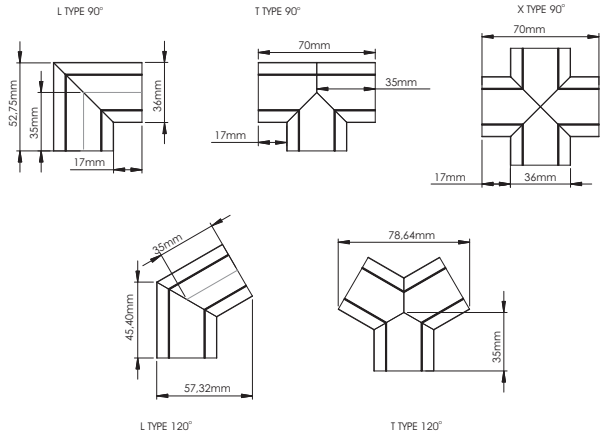


Image	Code	Description / Colour	Length	Design-Detail
	<p><b>ACC.191</b> <b>ACC.233</b></p> <p><b>PRH.037</b></p> <p><b>PRH.038</b></p>	<p>CEILING SUSPENSION 150cm CEILING SUSPENSION 300cm</p> <p>CABLE RESTRAINT ON WIRE ROPE Note: 2pcs for up to 150cm &amp; 3pcs for up to 300cm ceiling suspension</p> <p>CABLE GLAND</p>		
	<p><b>PRH.039</b> <b>PRH.082</b></p> <p><b>SIN.018</b> <b>SIN.017</b></p> <p><b>PRH.040</b> <b>PRH.083</b></p> <p><b>PRH.041</b> <b>PRH.084</b></p>	<p>Canopy Surface White Canopy Surface Black</p> <p>Canopy Surface White Canopy Surface Black</p> <p>Canopy Recessed White Canopy Recessed Black</p> <p>Canopy Trimless White Canopy Trimless Black</p>		
	<p><b>PRH.125</b></p>	<p>RETENTION SPRING for LINK MINI RC</p>		
	<p><b>PRH.126</b></p>	<p>EXTENSION LINE LINK RC</p>		
	<p><b>PRH.127</b> <b>PRHW127</b> <b>PRHB127</b></p>	<p>LINE ALIGNMENT Anodized LINE ALIGNMENT White LINE ALIGNMENT Black</p>		



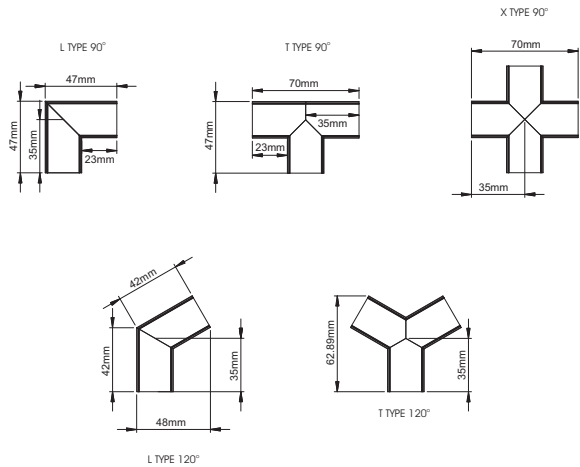
**LINK RC MINI**

Accessory	Anodized	White	Black
L TYPE 90°	LNN.128	LNNW128	LNNB128
T TYPE 90°	LNN.129	LNNW129	LNNB129
X TYPE 90°	LNN.130	LNNW130	LNNB130
L TYPE 120°	LNN.131	LNNW131	LNNB131
T TYPE 120°	LNN.132	LNNW132	LNNB132



**LINK SF/PD MINI**

Accessory	Anodized	White	Black
L TYPE 90°	LNN.133	LNNW133	LNNB133
T TYPE 90°	LNN.134	LNNW134	LNNB134
X TYPE 90°	LNN.135	LNNW135	LNNB135
L TYPE 120°	LNN.136	LNNW136	LNNB136
T TYPE 120°	LNN.137	LNNW137	LNNB137



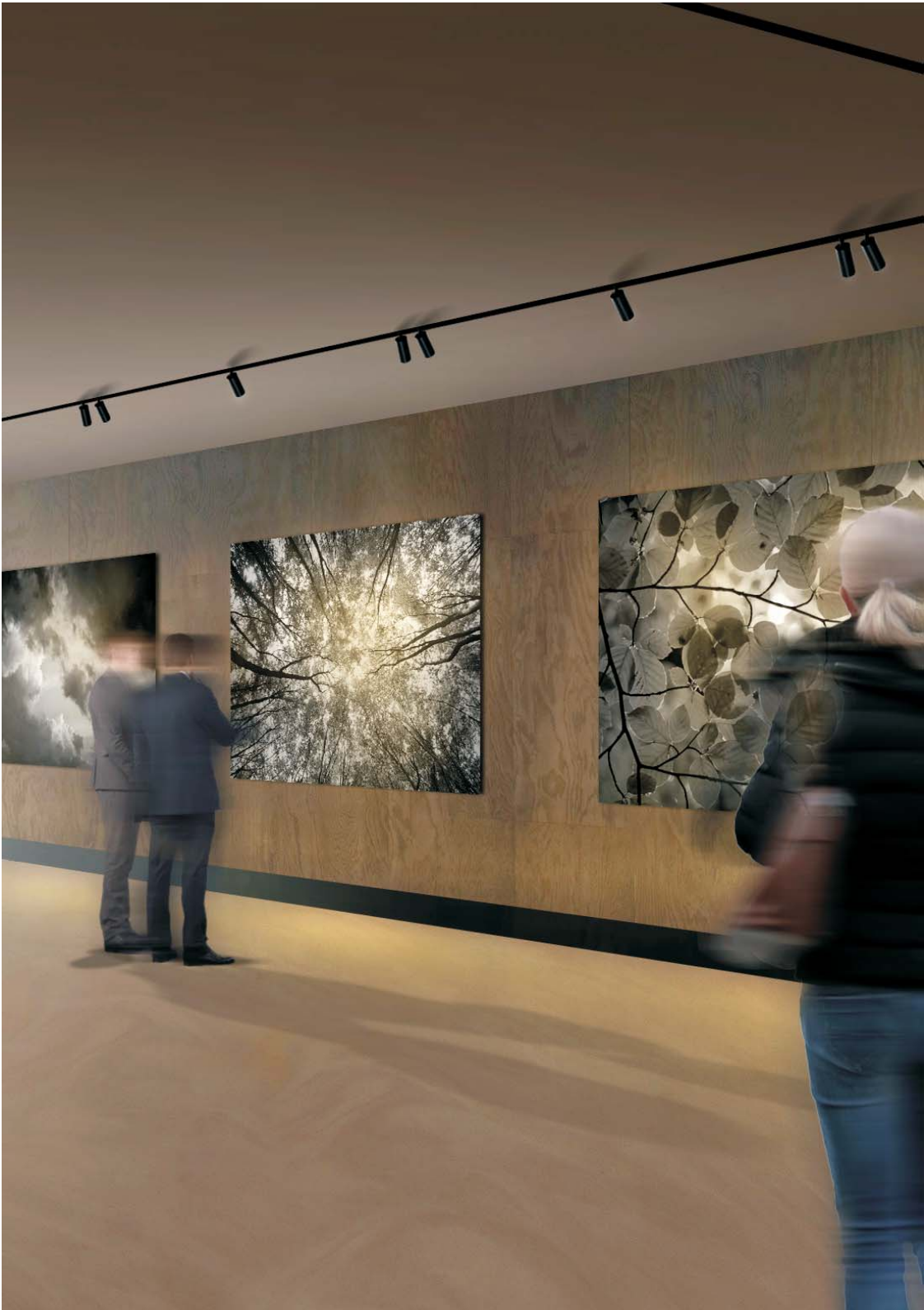
**LINK SF/PD MIDI**

Accessory	Anodized	White	Black
L TYPE 90°	LNN.138	LNNW138	LNNB138
T TYPE 90°	LNN.139	LNNW139	LNNB139
X TYPE 90°	LNN.140	LNNW140	LNNB140
L TYPE 120°	LNN.141	LNNW141	LNNB141
T TYPE 120°	LNN.142	LNNW142	LNNB142

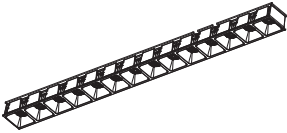
**LINK SF/PD HV**

Accessory	Anodized	White	Black
L TYPE 90°	LNN.143	LNNW143	LNNB143
T TYPE 90°	LNN.144	LNNW144	LNNB144
X TYPE 90°	LNN.145	LNNW145	LNNB145
L TYPE 120°	LNN.146	LNNW146	LNNB146
T TYPE 120°	LNN.147	LNNW147	LNNB147

\* All L, T, X types are only available Blank



DIRECTIONAL / 7.2W / 28cm



L90/B10 > 50.000h

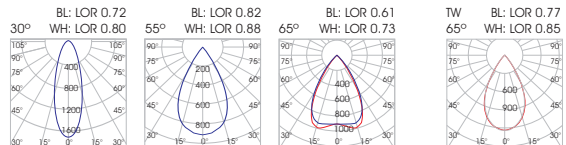
Module Code	CCT/CRI - Beam Angle					Black			
D01	2780-30	D07	3080-30	D13	4080-30	D19	5780-30	D25	TW80-60
D02	2780-55	D08	3080-55	D14	4080-55	D20	5780-55	D26	TW90-60
D03	2780-65	D09	3080-65	D15	4080-65	D21	5780-65		
D04	2790-30	D10	3090-30	D16	4090-30	D22	5790-30		
D05	2790-55	D11	3090-55	D17	4090-55	D23	5790-55		
D06	2790-65	D12	3090-65	D18	4090-65	D24	5790-65		

Module Code	CCT/CRI - Beam Angle					WHITE			
D27	2780-30	D33	3080-30	D39	4080-30	D45	5780-30	D51	TW80-60
D28	2780-55	D34	3080-55	D40	4080-55	D46	5780-55	D52	TW90-60
D29	2780-65	D35	3080-65	D41	4080-65	D47	5780-65		
D30	2790-30	D36	3090-30	D42	4090-30	D48	5790-30		
D31	2790-55	D37	3090-55	D43	4090-55	D49	5790-55		
D32	2790-65	D38	3090-65	D44	4090-65	D50	5790-65		

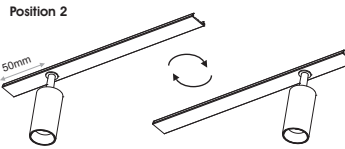
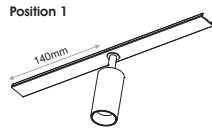
**Example**    *Explanation*  
**(D12)**    Module DIRECTIONAL 7.2W/28cm  
               Black 3090-65 (3000K/CRI90/65°)

Model	CCT	LED Source	
		CR180	CR190
<b>Module 7.2W/28cm</b>	2700K	945lm	800lm
	3000K	970lm	820lm
	4000K	1030lm	870lm
	5700K	1040lm	880lm
<b>TW DT8 2700K~6500K 7.2W per colour/28cm</b>	2700K	870lm	735lm
	6500K	940lm	795lm

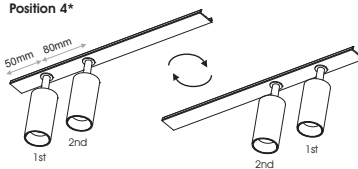
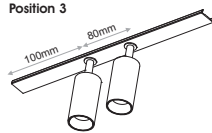
**Note:**  
 Directional modules not available for indirect lighting.



SPOT / 6W / 28cm



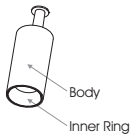
SPOT / 12W / 28cm



Low UGR ensuring visual comfort (UGR < 14 /black inner ring).

L90/B10 >50.000h

Position Code	Spots Position*	Module Code	CCT / CRI / Beam Angle	Black Body / Black Inner Ring				Accessories		
A	Position 1	S01	2780-25	S07	3080-25	S13	4080-25	S19	5080-25	0 Standard
B	Position 2	S02	2780-35	S08	3080-35	S14	4080-35	S20	5080-35	1 Honeycomb
C	Position 3	S03	2780-50	S09	3080-50	S15	4080-50	S21	5080-50	2 Line spread lens
D	Position 4	S04	2790-25	S10	3090-25	S16	4090-25	S22	5090-25	3 Softening lens
		S05	2790-35	S11	3090-35	S17	4090-35	S23	5090-35	
		S06	2790-50	S12	3090-50	S18	4090-50	S24	5090-50	
		Module Code	CCT / CRI / Beam Angle	White Body / White Inner Ring						
		S25	2780-25	S31	3080-25	S37	4080-25	S43	5080-25	
		S26	2780-35	S32	3080-35	S38	4080-35	S44	5080-35	
		S27	2780-50	S33	3080-50	S39	4080-50	S45	5080-50	
		S28	2790-25	S34	3090-25	S40	4090-25	S46	5090-25	
		S29	2790-35	S35	3090-35	S41	4090-35	S47	5090-35	
		S30	2790-50	S36	3090-50	S42	4090-50	S48	5090-50	
		Module Code	CCT / CRI / Beam Angle	White Body / Black Inner Ring						
		S49	2780-25	S55	3080-25	S61	4080-25	S67	5080-25	
		S50	2780-35	S56	3080-35	S62	4080-35	S68	5080-35	
		S51	2780-50	S57	3080-50	S63	4080-50	S69	5080-50	
		S52	2790-25	S58	3090-25	S64	4090-25	S70	5090-25	
		S53	2790-35	S59	3090-35	S65	4090-35	S71	5090-35	
		S54	2790-50	S60	3090-50	S66	4090-50	S72	5090-50	



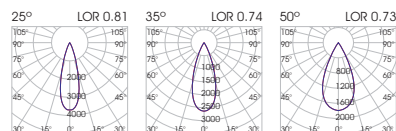
\* Position 4: When ordering Outer Spot mentioned 1st, Inner Spot mentioned 2nd.

Example	Explanation
(A-S580)	Position 1, Spot 6W/28cm White body / White Inner Ring 3090-25 (3000K/CRI90/25/Standard)

(D-S511S491)	Position 4, Spots 12W/28cm 1st Spot: White body / Black Inner Ring 2780-50 (2700K/CRI80/50/Honeycomb) - 2nd Spot: White body / Black Inner Ring 2780-25 (2700K/CRI80/25/Honeycomb)
--------------	---------------------------------------------------------------------------------------------------------------------------------------------------------------------------------------

**Note:**  
Spotlight modules not available for indirect lighting.

Inner ring colour:  
**BLACK**



Inner ring colour:  
**WHITE**

